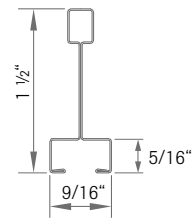
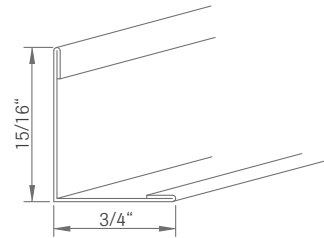


OWAline 9/16

The OWAline 9/16" grid offers designers a more monolithic appearance as the grid and panel faces are in the same plane. The 1/4" slot is useful for partition attachment as well as signage placement. The recess can be white or black to accentuate the module lines. The cross tees have integral end details and mitered ends for a tailored appearance.



Main runner no. 3500
Cross tee no. 3512, 3514, 3524

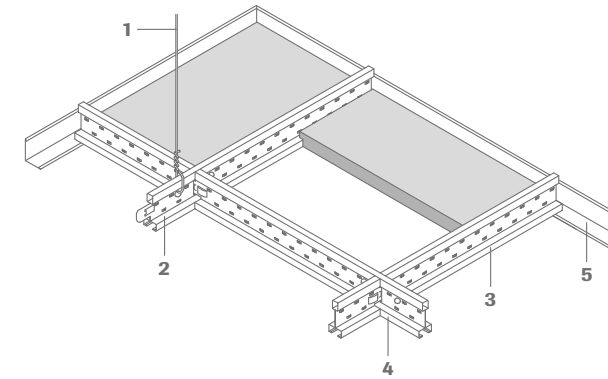


Wall angle no. 50G

OWAline 9/16

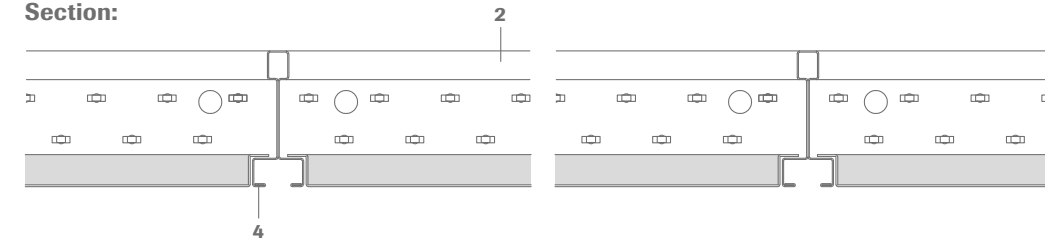
	Description/rating per ASTM C-635	Pcs/ ctn	LF/ ctn	Weight/ ctn	Ctns/ pallet
3500	12' main runner, 9/16", slotted, white / white	20	240	46	63
3514	4' cross tee, 9/16", slotted, white / white, notched two sides	60	240	46	90
3524	4' cross tee, 9/16", slotted, white / white, no notches	60	240	46	90
3512	2' cross tee, 9/16", slotted, white / white	60	120	23	63
50G	12' wall angle 3/4" x 15/16", white	40	480	62	96
3500	12' main runner, 9/16", slotted, ID, white / black recess	20	240	46	63
3514	4' cross tee, 9/16", slotted, white / black recess, notched two sides	60	240	46	90
3512	2' cross tee, 9/16", slotted, white / black recess	60	120	46	90

S 15b OWAline

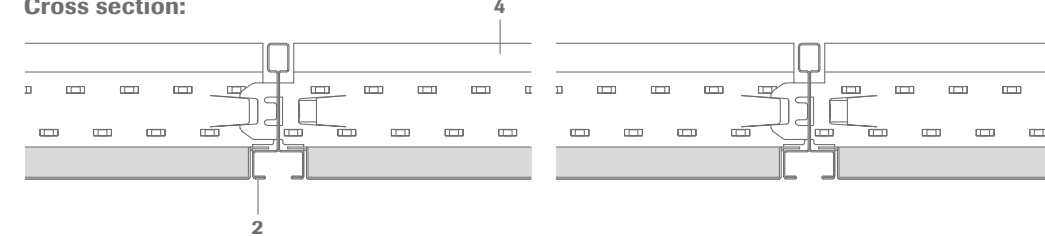


- 1 Wire (by client)
- 2 Main runner no. 3500, slotted
- 3 Main tee no. 3512, length 2'
- 4 Main tee no. 3514, length 4'
- 5 Wall angle no. 50G

Section:



Cross section:



Technical data

Dimensions

Module sizes: 24" x 24", 48" x 24"

Edge detail

RE bolt-slot



Reaction to fire

OWAcoustic premium tiles: class 1 (ASTM E 84) | class A (ASTM E 1264)
OWAconstruct suspension parts: class 1 (ASTM E 84) | class A (ASTM E 1264)

Metal suspension

All metal components listed are galvanized steel or white coated galvanized steel respectively.

Suspension depth

3" - 4" (depending on the existing structural ceiling) for ease of panel removal 5" is recommended