

OWA metal ceilings

OWAtecta – metal ceilings

OWA

Content

General information.....	5
Perforations	6
Expanded metal.....	8

Systemes

S 22 clip-in/swing down system	10
S 32 clip-in/swing down system	11
S 32 L plank clip-in / swing down system	12
S 33 lay-in system	13
S 33 mesh expanded metal lay-in system	14
S 33e lay-in system with increased corrosion protection.....	15
S 36 Corridor systems.....	16
S 39 hook-on system with Z profiles.....	17
S 39 mesh expanded metal hook-on system with Z profiles	18
S 45 lay-in system	19
S 48 bandura-system	20
S 60 wall system	21
OWAtecta Canopies	22
Edge details	23
OWAconstruct standard light fixtures.....	24
OWAconstruct index.....	26



A different type of ceiling design

OWAtecta offers a range of metallic ceiling panels that has fascinated designers with its variety of creative nuances. All installation situations can be realised with OWAtecta metal ceiling systems - not only in new properties but also as a part of renovation activities.



www.blauer-engel.de/uz132

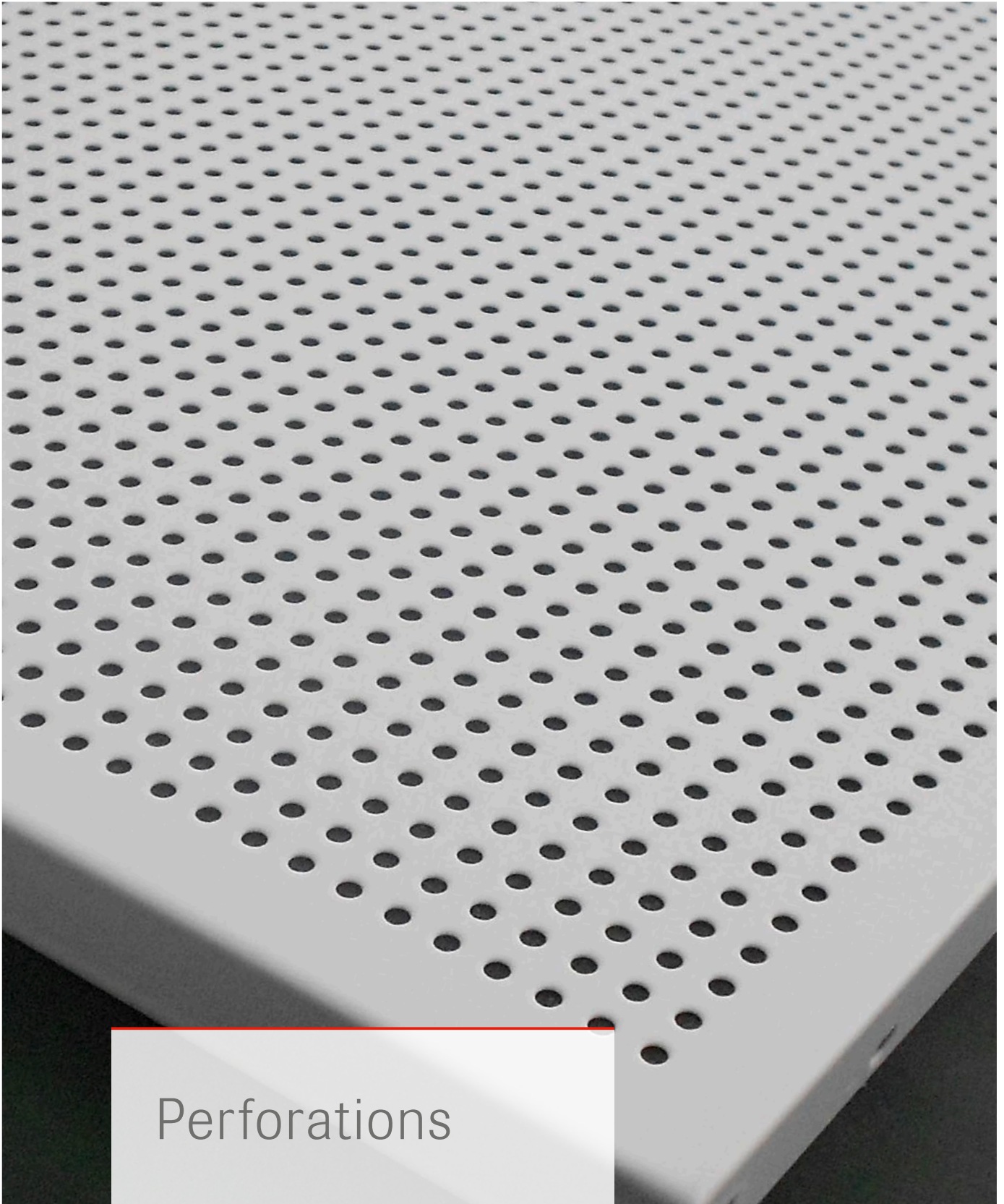
- emissionsarm
- geringer Schadstoffgehalt
- in Innenräumen gesundheitlich unbedenklich



This catalogue will provide you with an overview of the OWAtecta standard systems. Special sizes and customised productions are also possible if needed.

You can find more information about our metal ceilings on the OWA website at:

www.owa.de

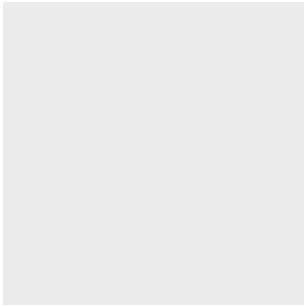


Perforations

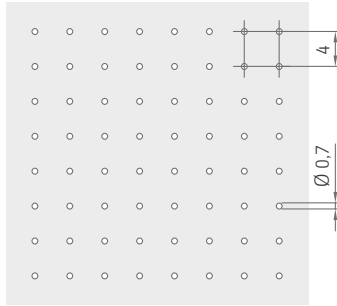
OWAtecta

OWAtecta metal tiles are available with different perforation patterns depending on acoustic requirements and desired aesthetics.

Perforations

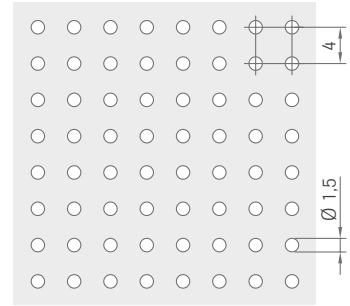


L0 un-perforated



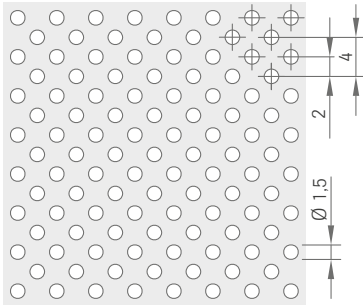
Rg0702

$\varnothing = 0.7 \text{ mm}$
2 % open area



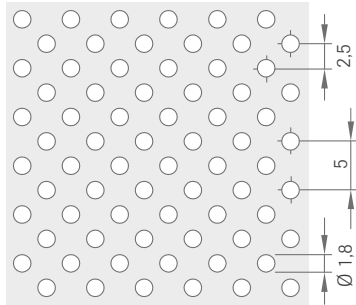
Rg1511

$\varnothing = 1.5 \text{ mm}$
11 % open area



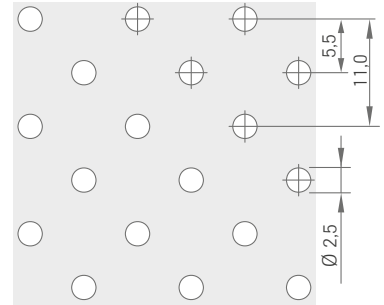
Rd1522

$\varnothing = 1.5 \text{ mm}$
22 % open area



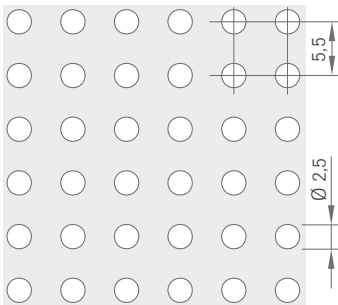
Rd1820

$\varnothing = 1.8 \text{ mm}$
20 % open area



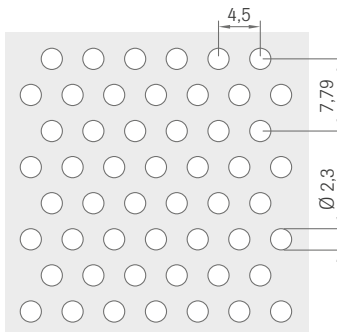
Rd2508

$\varnothing = 2.5 \text{ mm}$
8 % open area



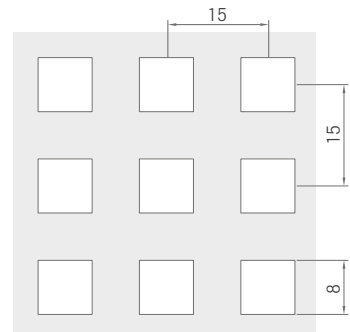
Rg2516

$\varnothing = 2.5 \text{ mm}$
16 % open area



Rv2323

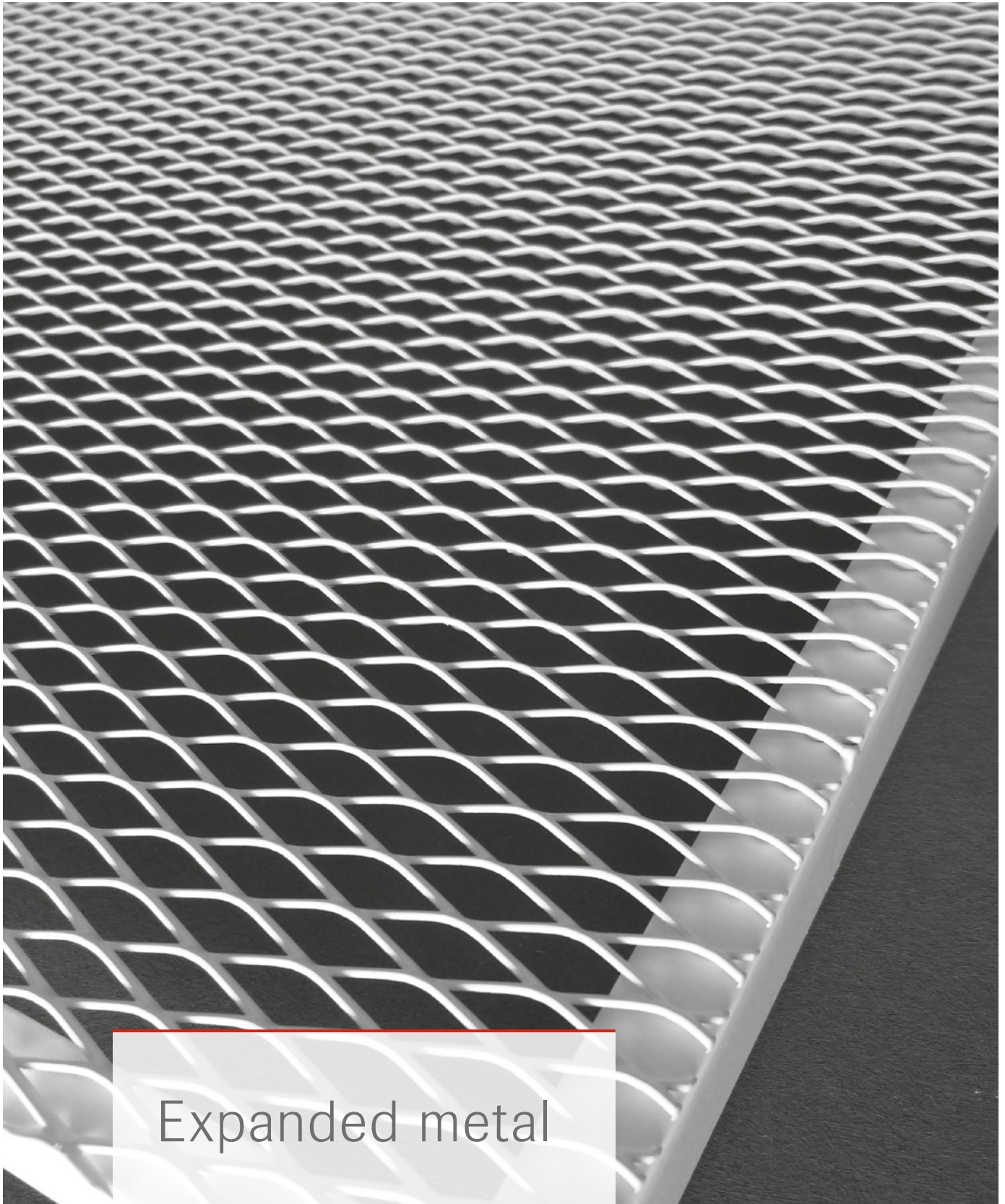
$\varnothing = 2.3 \text{ mm}$
23 % open area



Qg8028

8 x 8 mm
28 % open area

More perforations on request



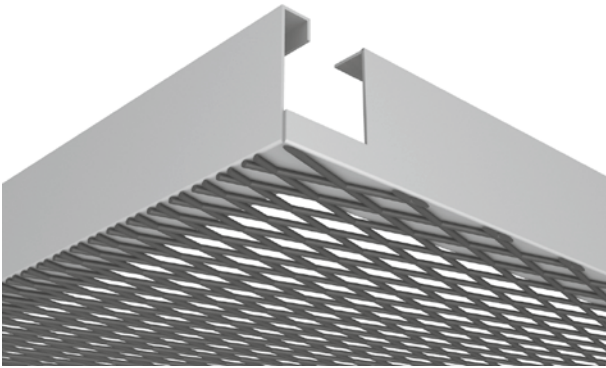
Expanded metal

OWAtecta

For even more creative options, OWAtecta expanded metal tiles offer a range of different mesh and panel types.

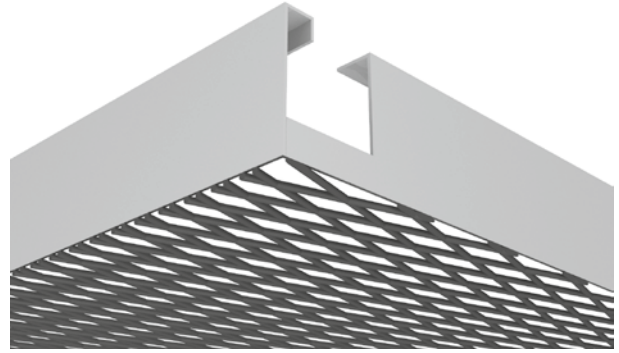
Panel types

Type D



Panel with L-shaped frame, mesh welded to visible face of frame return from below. Available as hook-on or lay-in.

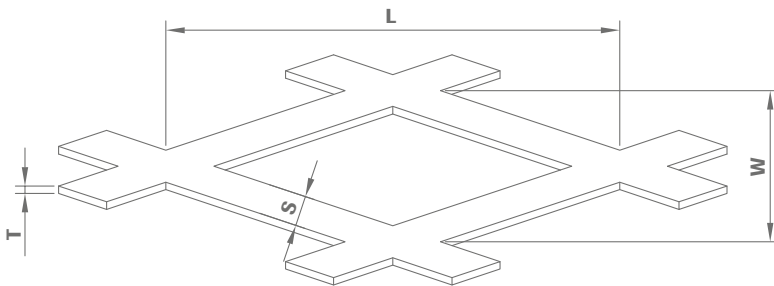
Type E



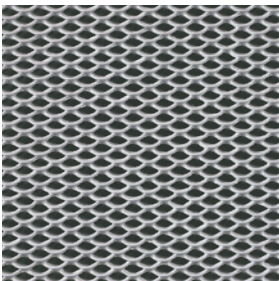
Panel borderless frame edge welded to the perimeter of the mesh. Available as hook-on or lay-in.

Standard mesh patterns

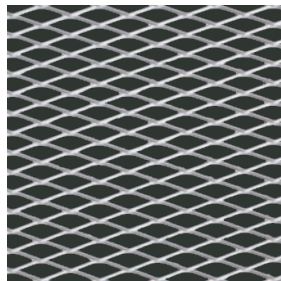
Diamond shape



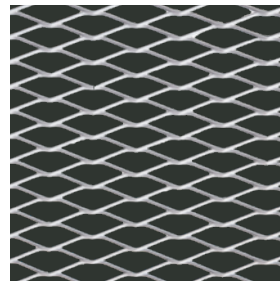
L = Length
W = Width
S = Strand width
T = Thickness



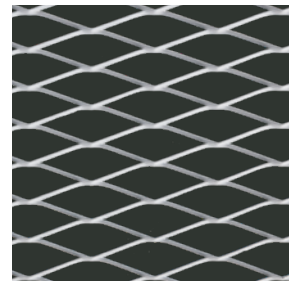
Mesh R 16x8
63 % open area
Strand width 1.5 mm
Thickness 1.0 mm



Mesh R 30x10
60 % open area
Strand width 2.0 mm
Thickness 1.0 mm



Mesh R 42x13
69 % open area
Strand width 2.0 mm
Thickness 1.0 mm

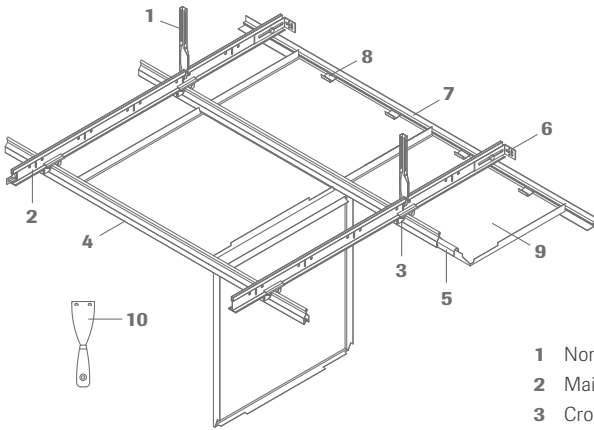


Mesh R 60x20
70 % open area
Strand width 3.0 mm
Thickness 1.0 mm

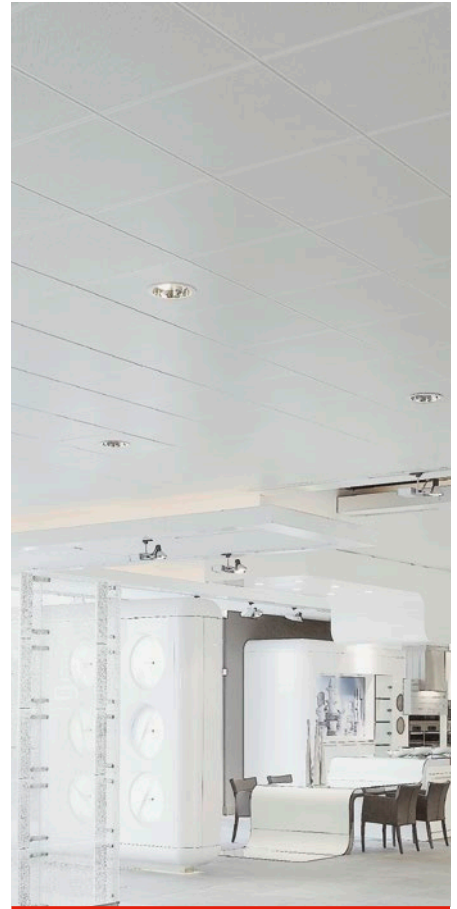
System S 22



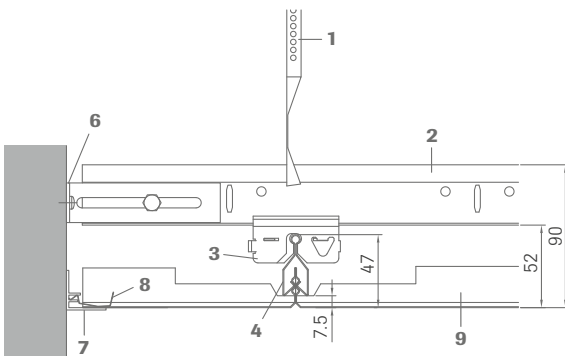
S 22 clip-in/swing down system concealed



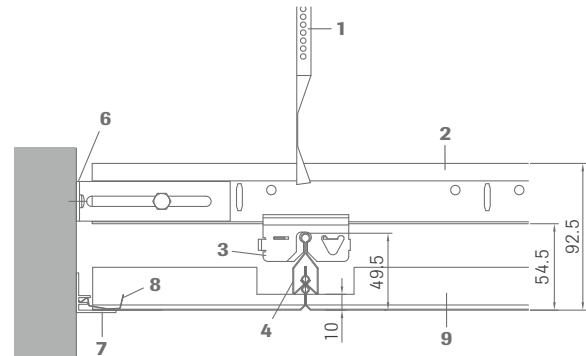
- 1 Nonius lower section no. 17/45
- 2 Main tee no. 45 or cliq-24-MR
- 3 Cross connector no. 93C
- 4 Clip-in profile no. 87B
- 5 Clip-in profile splice no. 88E
- 6 Wall anchor no. 75E
- 7 F wall angle no. 50F
- 8 Wall spring no. 5220
- 9 Metal tile
- 10 Unclip tool no. 99006



Section views:



Showing tile edge 01



Showing tile edge 02

Technical data

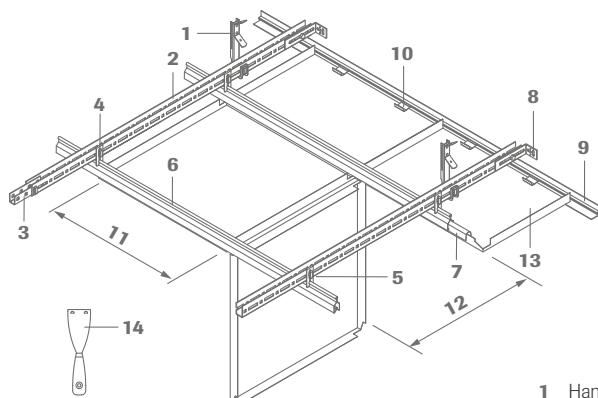
Dimensions	600 x 600 mm, 625 x 625 mm
Thickness	Galvanized sheet steel approx. 0.5 - 0.6 mm (depending on version)
Colour	White (similar RAL 9003) / other RAL colours on request
Edge details¹	01, 02
Perforations²	L0 un-perforated, Rg0702, Rg2516, Rd1522 more perforations on request

¹ Edges please see on page 23 | ² Perforations on page 7 | For further details please see [OWA-brochure.9332_e](#)

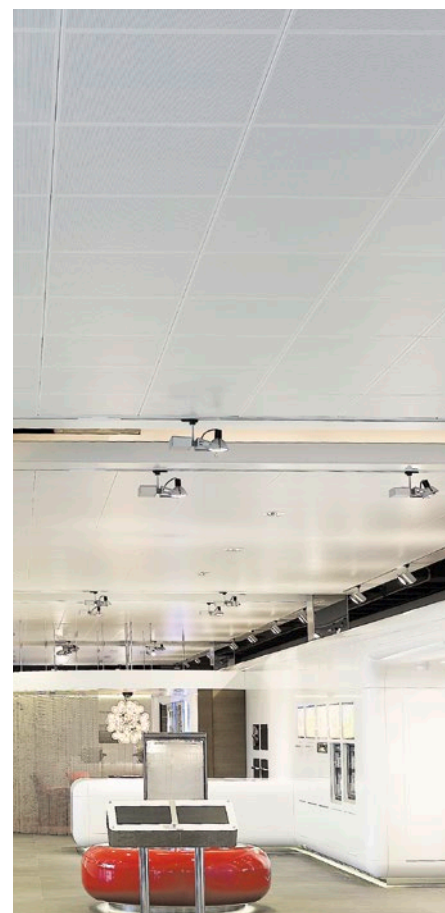
System S 32



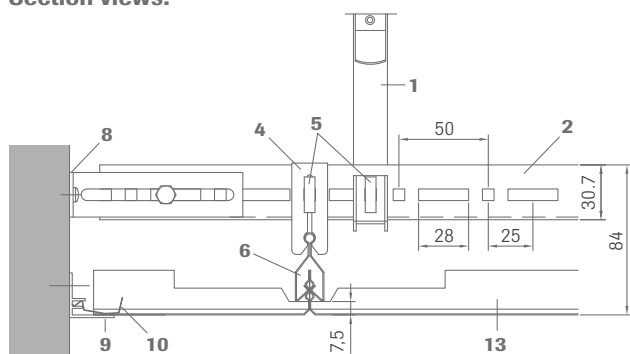
S 32 clip-in/swing down system concealed



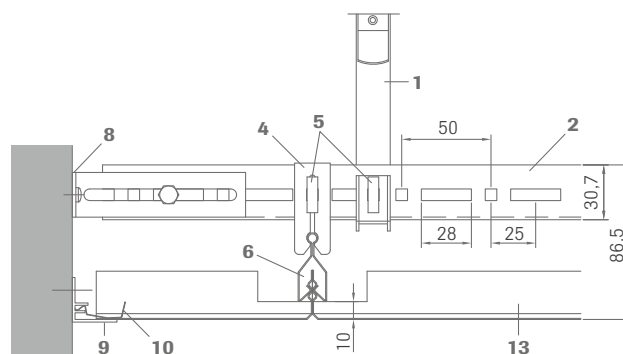
- 1 Hanger no. 1782E
- 2 U profile no. 70E
- 3 Connector no. 66E
- 4 Hanger no. 11E
- 5 Safety clip no. 66E
- 6 Clip-in profile no. 87B
- 7 Connector no. 88E
- 8 Wall anchor no. 75E
- 9 F wall angle no. 50F
- 10 Wall spring clip no. 5220
- 11 Tile width
- 12 Tile length
- 13 Metal tile
- 14 Unclip tool no. 99006



Section views:



Showing tile edge 01



Showing tile edge 02

Technical data

Dimensions

600 x 600 mm, 625 x 625 mm

Thickness

Galvanized sheet steel approx. 0.5 - 0.6 mm (depending on version)

Colour

White (similar RAL 9003) / other RAL colours on request

Edge details¹

01, 02

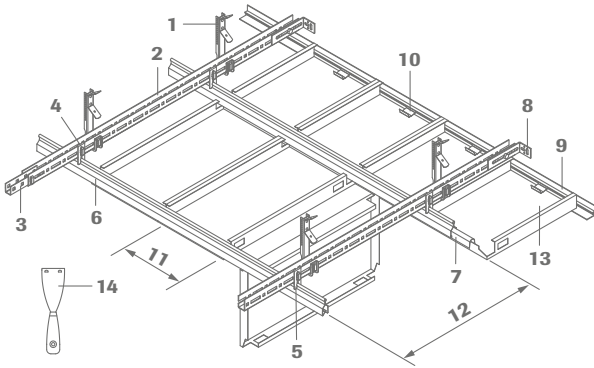
Perforations²

L0 un-perforated, Rg0702, Rg2516, Rd1522
more perforations on request

System S 32 L

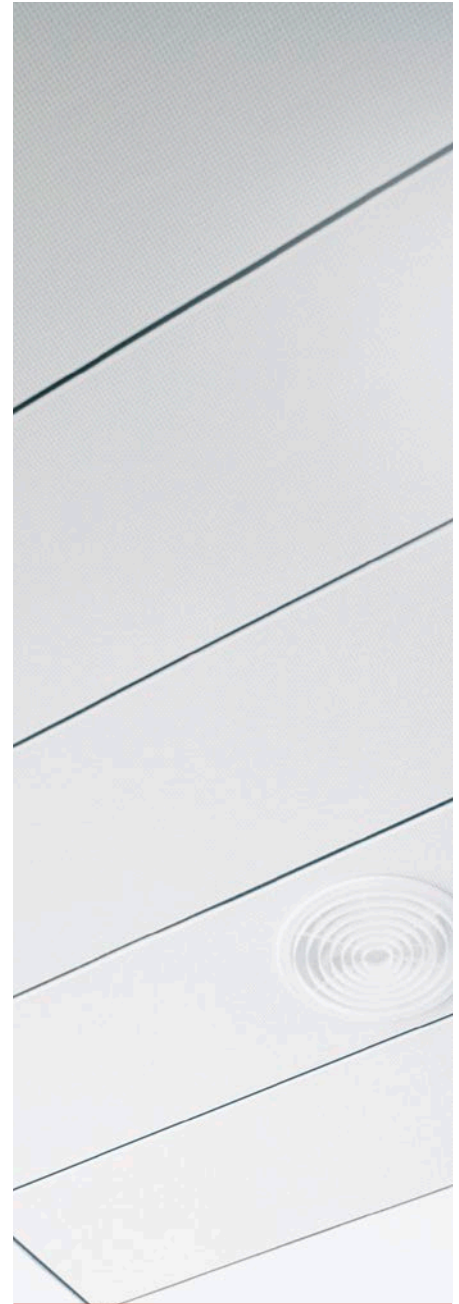
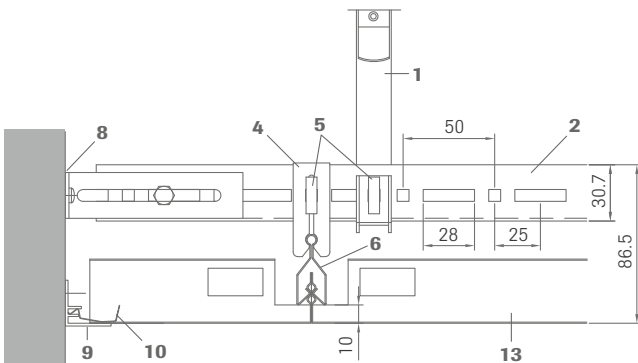


S 32 L plank clip-in / swing down system concealed



- 1 Hanger no. 1782E
- 2 U profile no. 70E
- 3 Connector no. 77E
- 4 Hanger no. 11E
- 5 Safety clip no. 66E
- 6 Clip-in profile no. 87B
- 7 Connector no. 88E
- 8 Wall anchor no. 75E
- 9 F wall angle no. 50F
- 10 Wall spring clip no. 5220
- 11 Tile width
- 12 Tile length
- 13 Metal tiles
- 14 Unclip tool no. 99006

Section view:



Technical data

Dimensions

S 32 L
width 250 - 625 mm
length 600 - 2500 mm

In stock
2000 x 312.5 mm
other sizes available on request

Thickness

Galvanized sheet steel approx. 0.5 - 0.7 mm (depending on the version)

Colour

White (similar RAL 9003) / other RAL colours on request

Edge details¹

Long edge: 10, short edge: 02s

Perforations²

All perforations possible

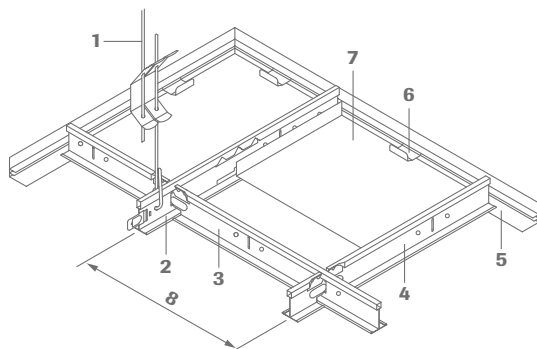
L0 un-perforated, Rg2516
more perforations on request

¹ Edges please see on page 23 | ² Perforations on page 7 | For further details please see [OWA-brochure 9331 e](#)

System S 33

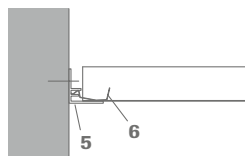
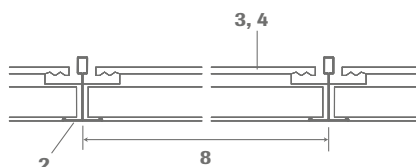
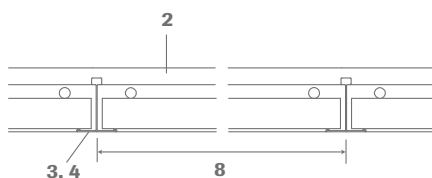


S 33 lay-in system for 24 mm T profile

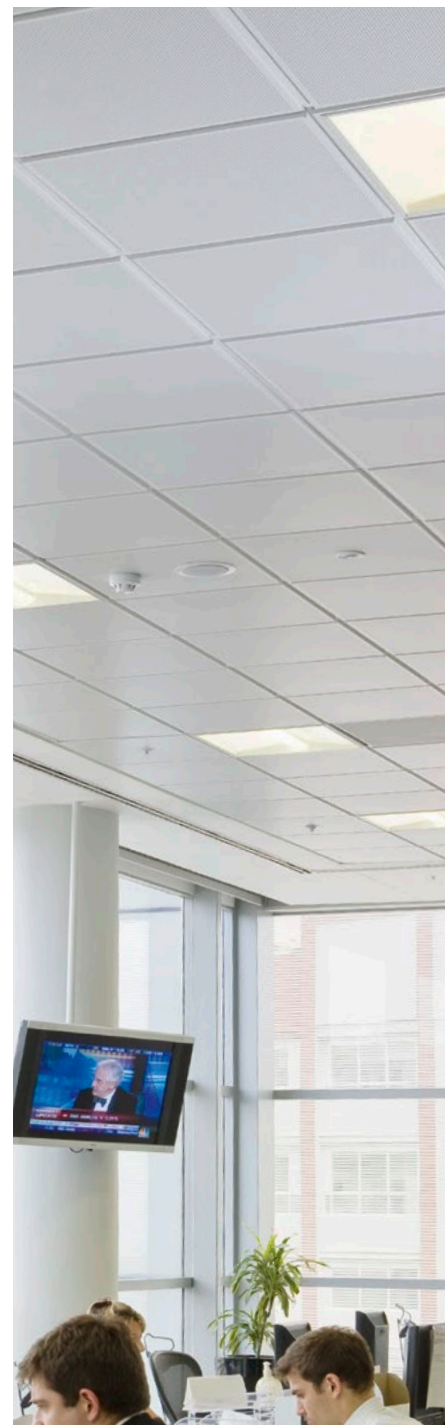


- 1 Hanger
- 2 Main tee no. 45
- 3 Cross tee no. 47
- 4 Cross tee no. 46
- 5 F wall angle no. 50F
- 6 Wall spring no. 5220
- 7 Metal tile
- 8 Module distance

Section views:



F wall angle no. 50F
aluminium, visible side white



Technical data

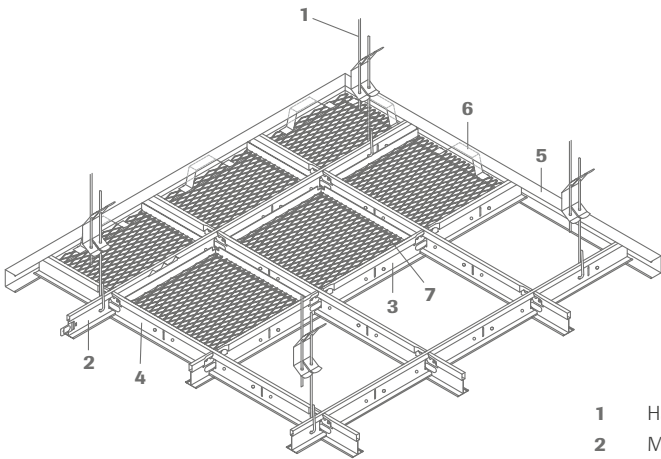
Dimensions	600 x 600 mm, 625 x 625 mm
Thickness	Galvanized sheet steel approx. 0.5 mm
Colour	White (similar RAL 9003) / other RAL colours on request
Edge details¹	03, 04, 07
Perforations²	L0 un-perforated, Rg0702, Rg2516, Rd1522 more perforations on request

¹ Edges please see on page 23 | ² Perforations on page 7 | For further details please see [OWA-brochure 9333 e](#)

System S 33 Mesh



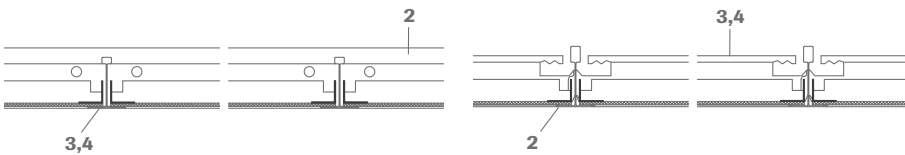
S 33 mesh expanded metal lay-in system for 24 mm T profile



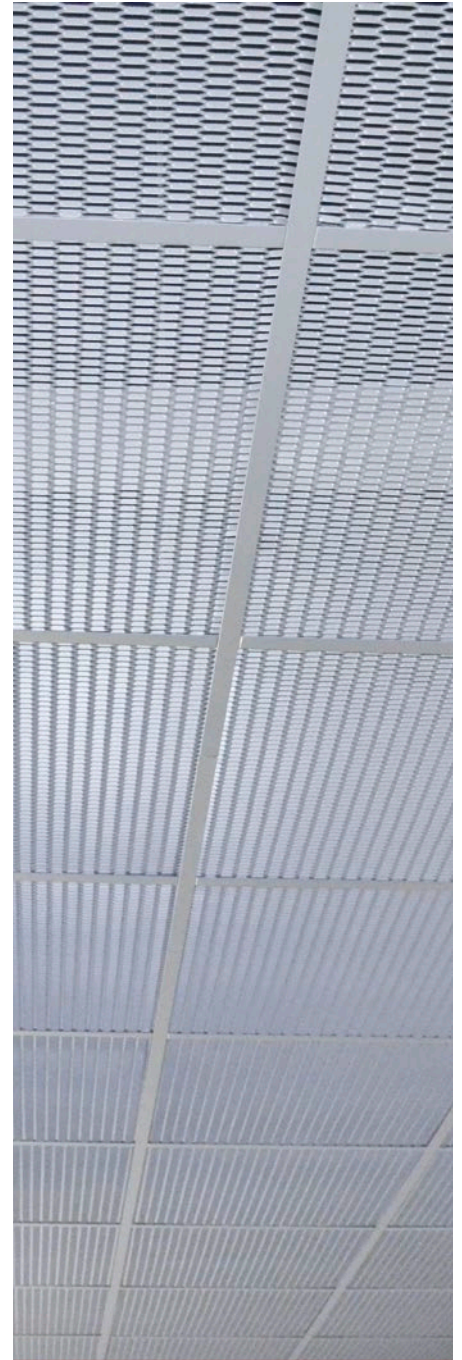
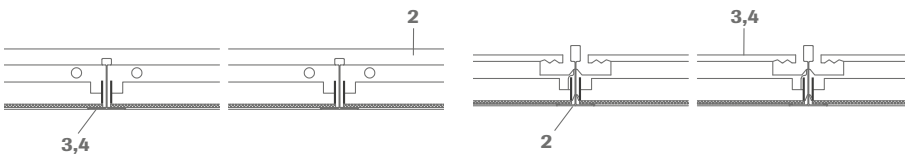
- 1 Hanger
- 2 Main tee no. 45
- 3 Cross tee no. 46
- 4 Cross tee no. 47
- 5 C wall angle no. 57
- 6 Wall spring no. 5210
- 7 Mesh tile

Section views:

Type D



Type E



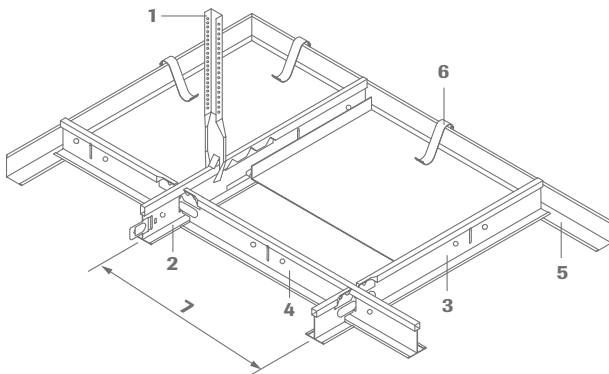
Technical data

Dimensions	600 x 600 mm, 625 x 625 mm
Colour	White (similar RAL 9003) / other RAL colours on request
Edge detail¹	03
Panel shapes²	Type D: with L-shaped frame Type E: with straight frame
Mesh patterns³	R 16 x 8 R 30 x 10 R 42 x 13 R 60 x 20
Mesh shape	Diamant

System S 33e

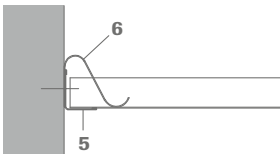
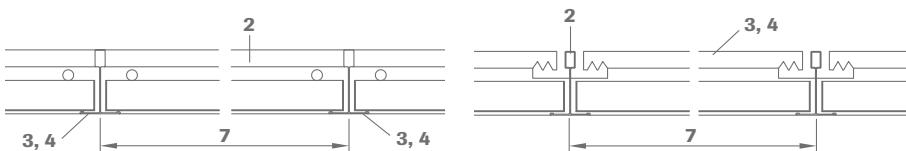


S 33e lay-in system with increased corrosion protection
for 24 mm T profile

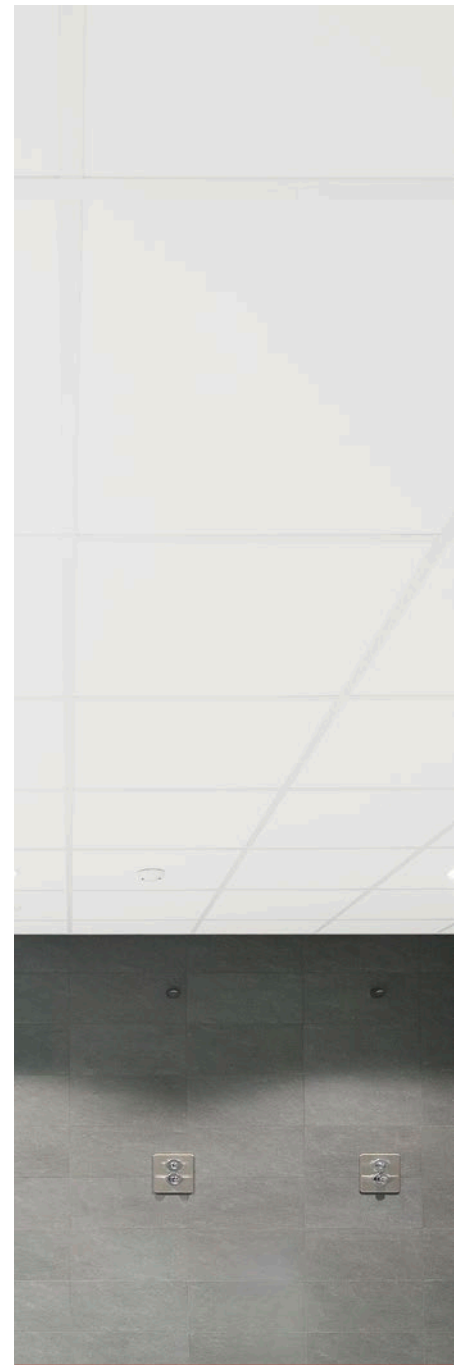


- 1 Hanger no. 17/45KB
- 2 Mani tee no. 45KB
- 3 Cross tee no. 46KB
- 4 Cross tee no. 47KB
- 5 Wall angle no. 50KB
- 6 Wall spring no. 99009
- 7 Module distance

Section views:



F wall angle no. 50KB
aluminium, visible side white



Technical data

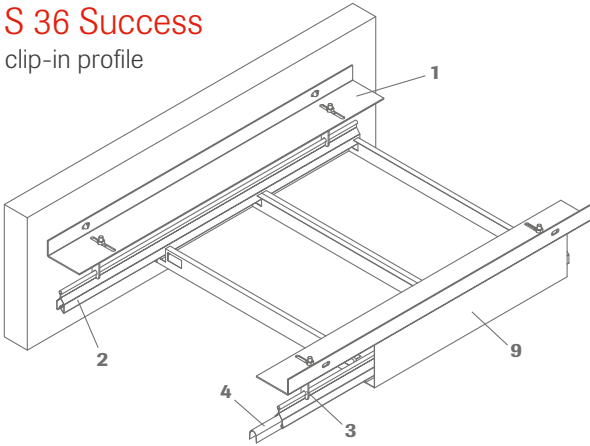
Dimensions	625 x 625 mm
Material	Galvanized sheet steel, powder-coated on both sides
Thickness	Approx. 0.6 mm
Colour	White (similar RAL 9003)
Edge detail¹	03
Perforation²	L0 un-perforated
Corrosion protection	Class C in accordance with EN 13964

¹ Edges please see on page 23 | ² Perforations on page 7 | For further details please see [OWA-brochure 9334 e](#)

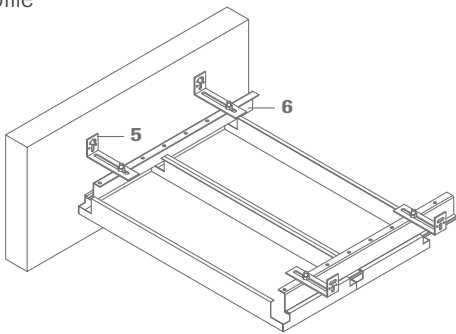
System S 36 Corridor systems



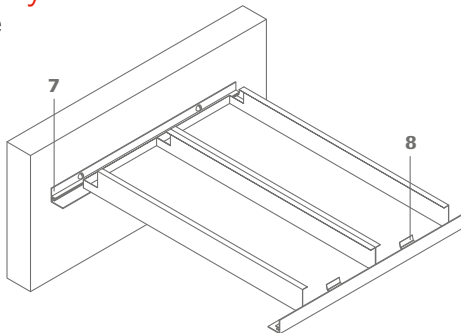
S 36 Success clip-in profile



S 36 Progress Z profile



S 36 Lay on F profile



- 1 Carrier angle no. 5110
- 2 Clip-in rail no. 87B
- 3 Hanger no. 1387E
- 4 Connector no. 88E
- 5 Wall anchor no. 75E
- 6 Z profile no. 90E01
- 7 Wall angle no. 50F
- 8 Wall spring no. 5220
- 9 Covering profile



Technical data

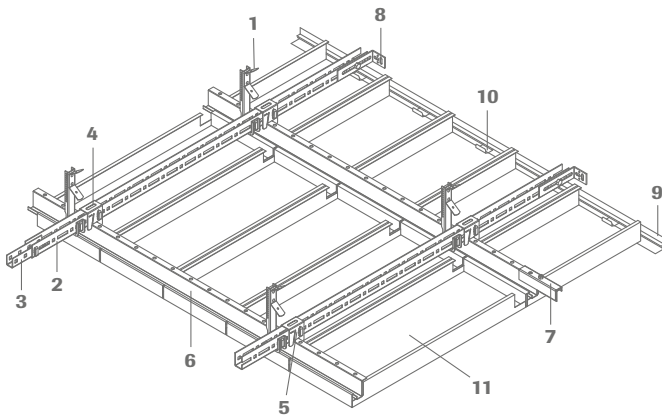
Dimensions	Width: 250 - 625 mm length: Success 600 - 2500 mm, Progress and Lay on 600 - 3000 mm		
Thickness	Galvanized sheet steel approx. 0.5 - 0.7 mm (depending on the version)		
Colour	White (similar RAL 9003) / other RAL colours on request		
Edge details¹	Success long edge: 10 short edge: 02s	Progress long edge: 10 short edge: 11s	Lay on long edge: 10 short edge: 03
Perforations²	All perforations possible		

¹ Edges please see on page 23 | ² Perforations on page 7 | For further details please see [OWA-brochure 9336 e](#)

System S 39

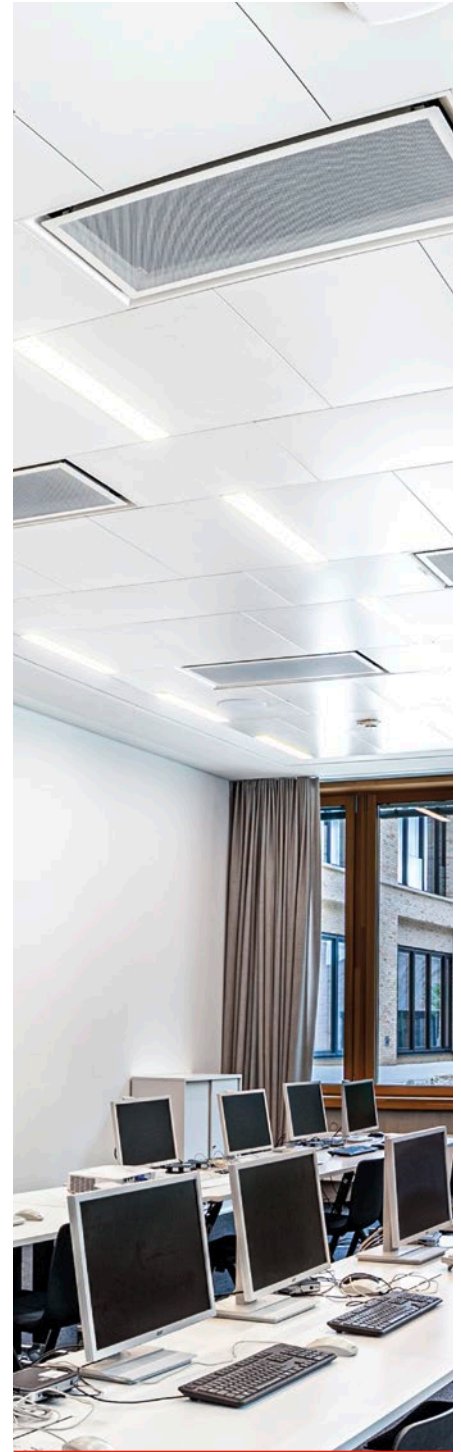
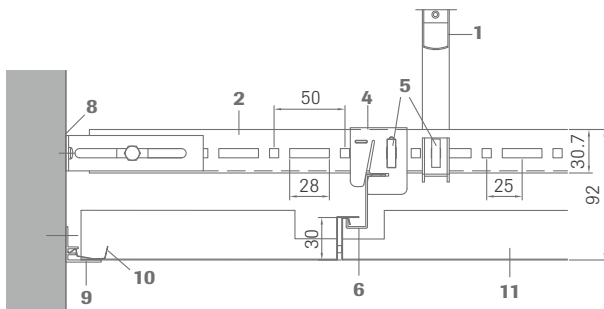


S 39 hook-on system with Z profiles tiles demountable



- 1 Hanger no. 1782E
- 2 Main tee no. 70E
- 3 Connector no. 77E
- 4 Hanger no. 12E02
- 5 Safety clip no. 66E
- 6 Z profile no. 90E01
- 7 Connector no. 25E
- 8 Wall anchor no. 75E
- 9 F wall angle no. 50F
- 10 Wall spring clip no. 5220
- 11 Metal plank

Section view:



Technical data

Dimensions

Width 250 - 625 mm | length 600 - 3000 mm

Thickness

Galvanized sheet steel approx. 0.5 - 0.7 mm (depending on the version)

Colour

White (similar RAL 9003) / other RAL colours on request

Edge details¹

Long edge: 10, short edge: 11

Perforations²

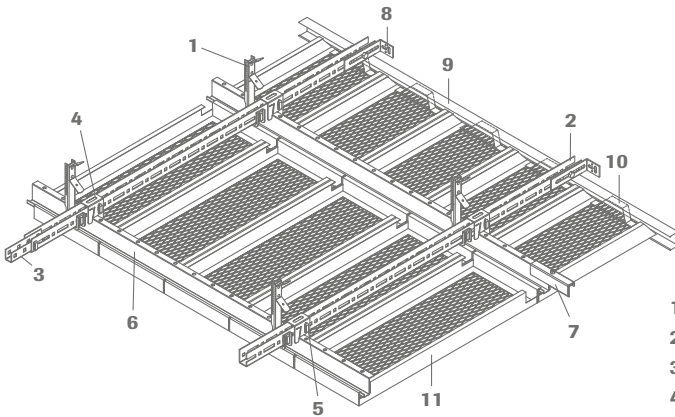
All perforations possible

¹ Edges please see on page 23 | ² Perforations on page 7 | For further details please see OWA-brochure 9339 e

System S 39 Mesh



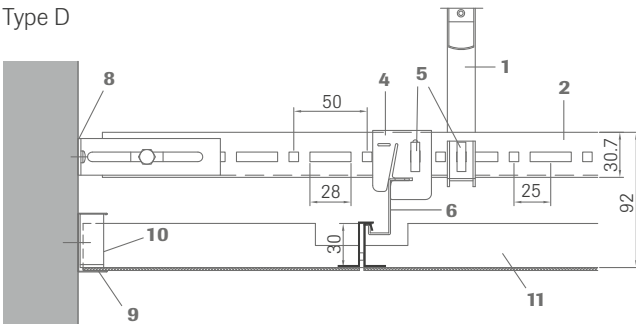
S 39 mesh expanded metal hook-on system with Z profiles tiles demountable



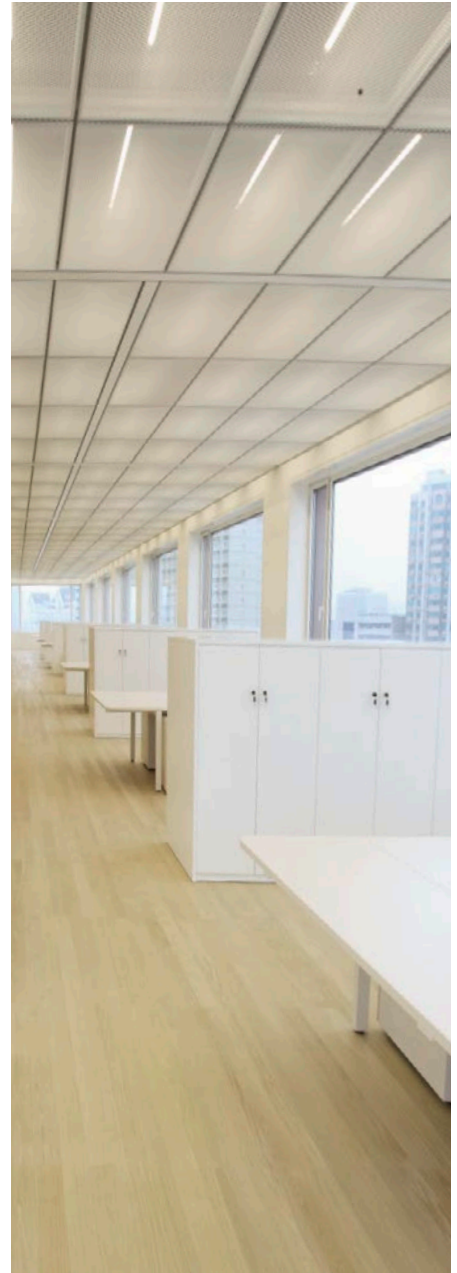
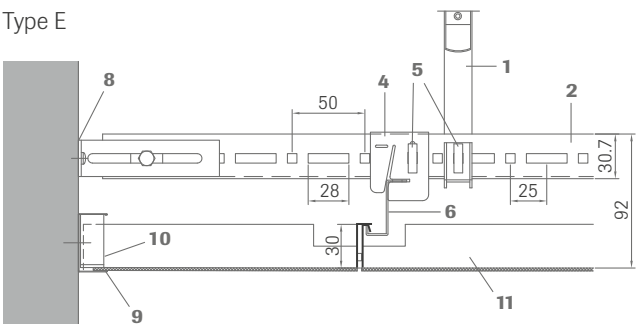
- 1 Hanger no. 1782E
- 2 Main tee no. 70E
- 3 Connector no. 77E
- 4 Hanger no. 12E02
- 5 Safety clip no. 66E
- 6 Z profile no. 90E01
- 7 Connector no. 25E
- 8 Wall anchor no. 75E
- 9 C wall profile no. 57
- 10 Wall spring clip no. 5210
- 11 Metal plank

Section views:

Type D



Type E



Technical data

Dimensions

Width: 250 - 625 mm | length: 600 - 2500 mm

Material

Steel, galvanised

Colour

White (similar RAL 9003) / other RAL colours on request

Edge details¹

Long edge: 10, short edge: 11

Panel shapes²

Type D: with L-shaped frame
Type E: with straight frame

Mesh patterns³

R 16 x 8 | R 30 x 10 | R 42 x 13 | R 60 x 20

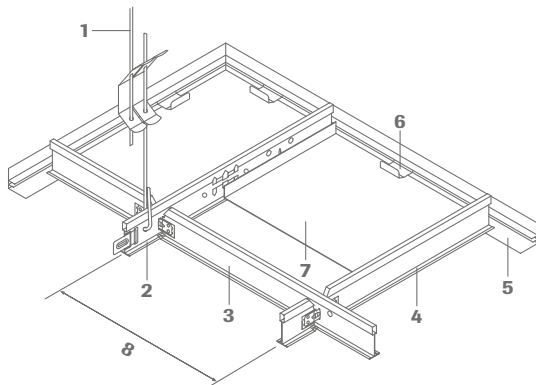
Mesh shape

Diamant

System 45

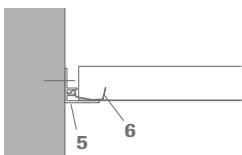
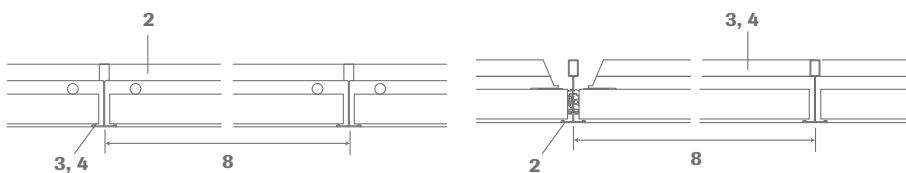


S 45 lay-in system for 15 mm T profile

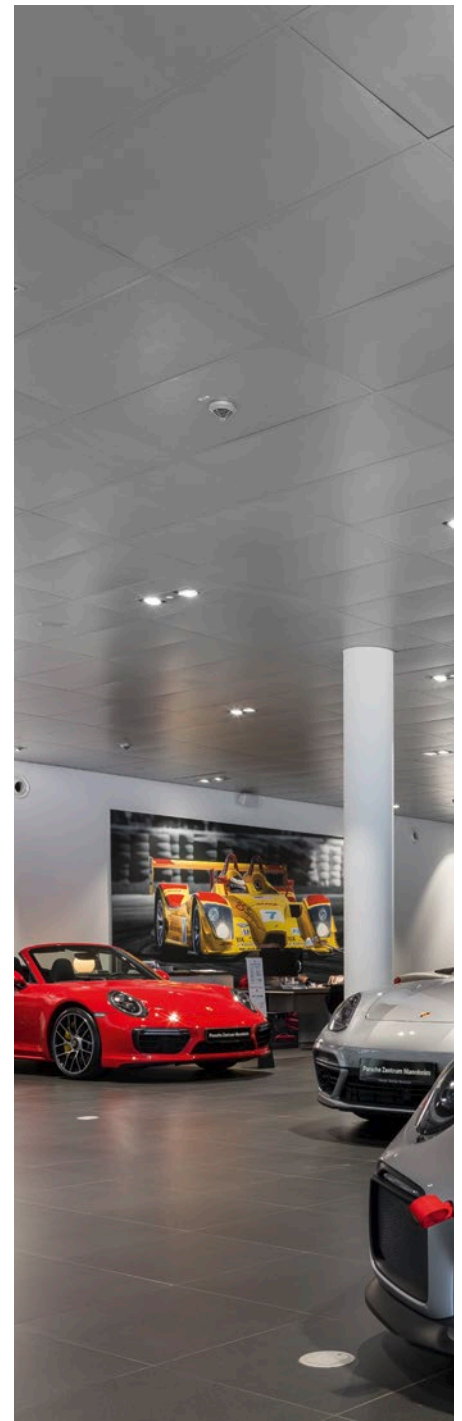


- 1 Hanger
- 2 Main tee cliq-15-MR
- 3 Cross tee long cliq-15-CT
- 4 Cross tee short cliq-15-CT
- 5 F wall angle no. 50F
- 6 Wall spring no. 5220
- 7 Metal tile
- 8 Module distance

Section views:



F wall angle no. 50F
aluminium, visible side white



Technical data

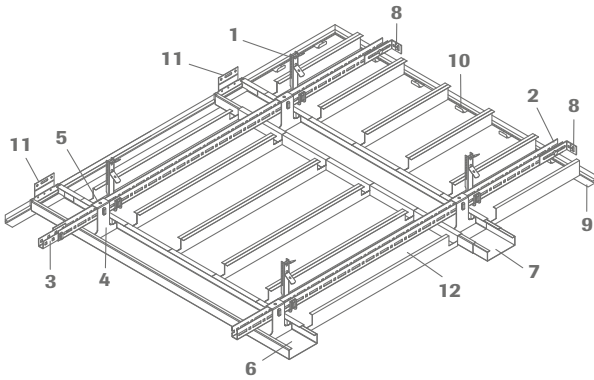
Dimensions	600 x 600 mm, 625 x 625 mm
Thickness	Galvanized sheet steel approx. 0.5 mm
Colour	White (similar RAL 9003) / other RAL colours on request
Edge details¹	03, 16
Perforations²	L0 un-perforated, Rg0702, Rg2516, Rd1522 more perforations on request

¹ Edges please see on page 23 | ² Perforations on page 7 | For further details please see [OWA-brochure 9333 e](#)

System S 48

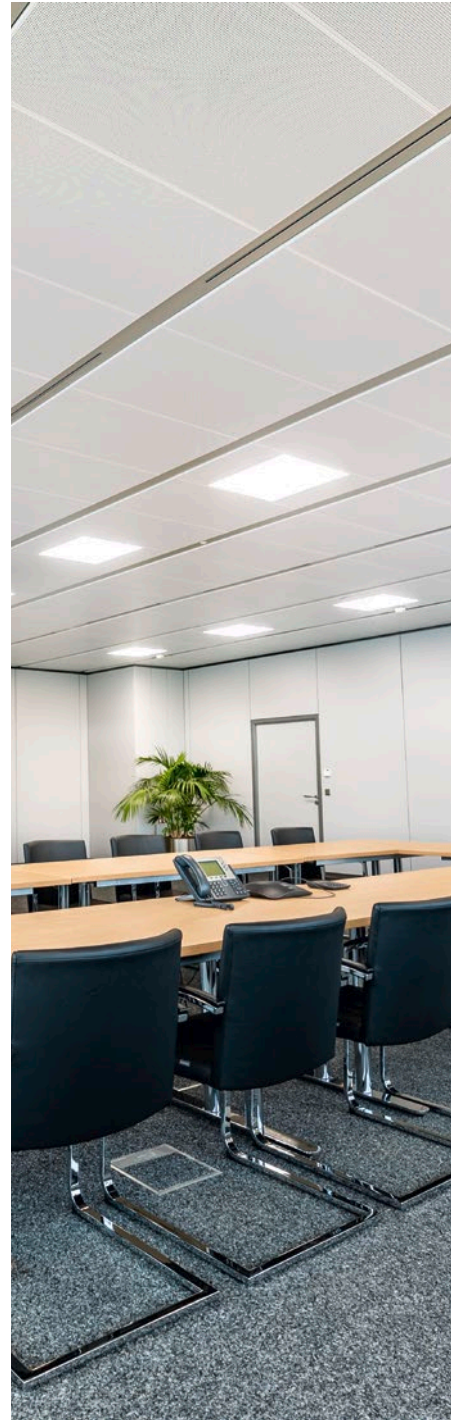
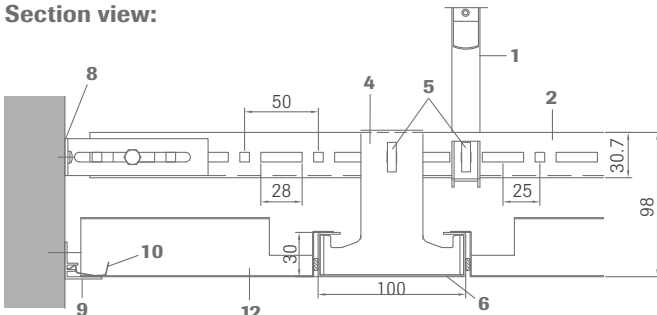


S 48 bandura-system demountable



- 1 Hanger no. 1782E
- 2 U profile no. 70E
- 3 Connector no. 77E
- 4 Hanger no. 7910E
- 5 Safety clip no. 66E
- 6 C bandraster no. 8010B
- 7 Connector no. 8210B
- 8 Wall anchor no. 75E
- 9 F wall angle no. 50F
- 10 Wall spring clip no. 5220
- 11 Wall anchor no. 7510B
- 12 Rectangular tile

Section view:



Technical data

Dimensions

Metal planks: width 250 - 625 mm | length 600 - 3000 mm
module distance: up to 3100 mm

Thickness

Galvanized sheet steel approx. 0.5 - 0.7 mm (depending on the version)

Colour

White (similar RAL 9003) / other RAL colours on request

Edge details¹

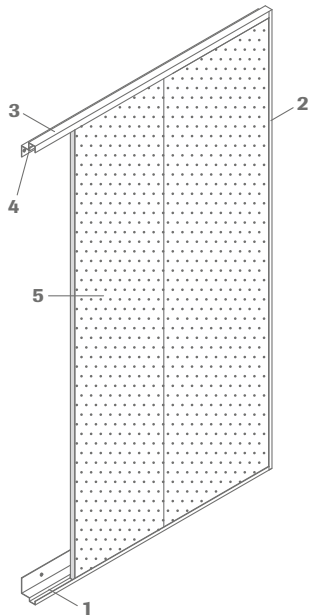
Long edge: 10, short edge: 13

Perforations²

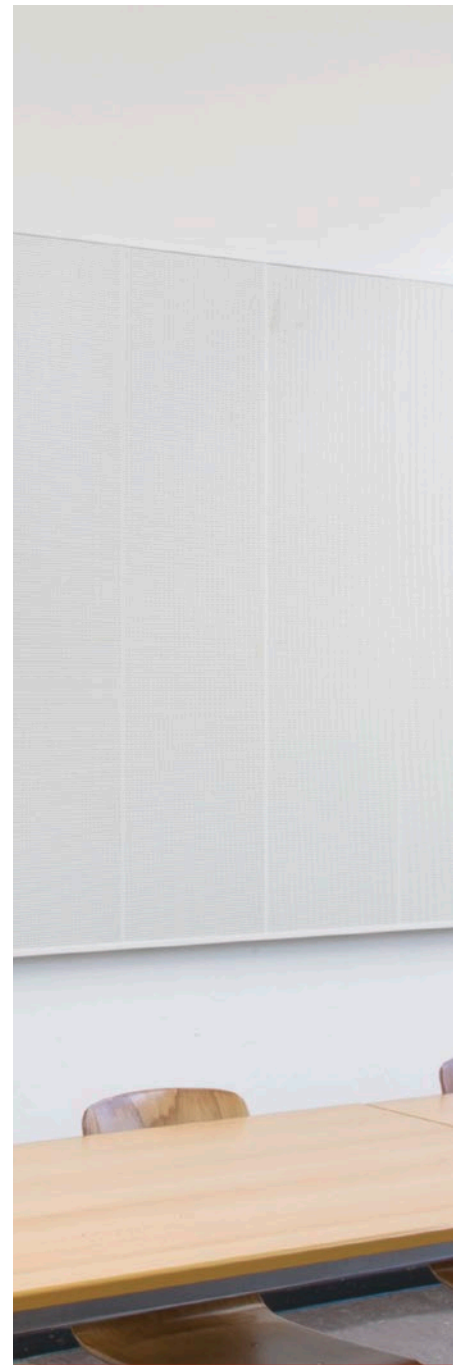
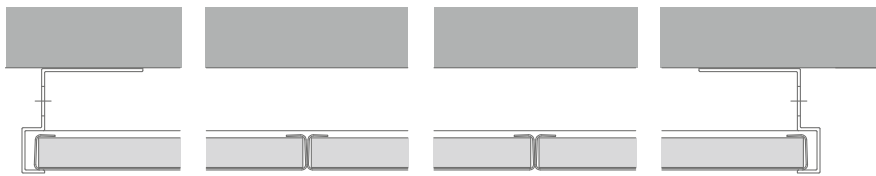
All perforations possible

Wall system S 60

S 60 wall system magnetic pin-board wallabsorber



- 1 Top frame profile bottom, length: 1990 mm
- 2 Top frame profile side, length: 1518 mm
- 3 Top frame profile top, length: 1990 mm
- 4 Sealing tape
- 5 Single element



Technical data

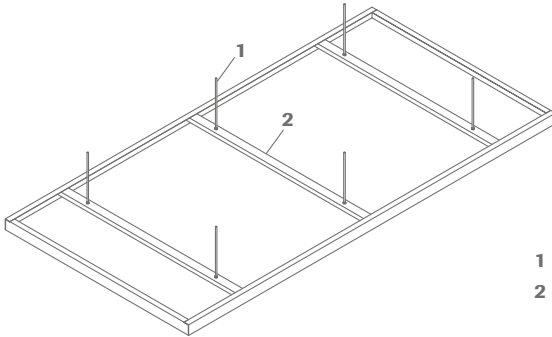
Dimensions	Standard size: field width 2016 mm x field height 1518 mm (optionally expandable) dimensions single element: 1500 x 400 mm other sizes available on request
Thickness	Metal plank: approx. 0.6 mm galvanized steel mineral tile approx. 15 mm
Colour	White (similar RAL 9003) / other RAL colours on request
Edge detail¹	10
Perforation²	Rg2516

¹ Edges please see on page 23 | ² Perforations on page 7 | For further details please see [OWA-brochure 9366 e](#)

OWAtecta Canopies

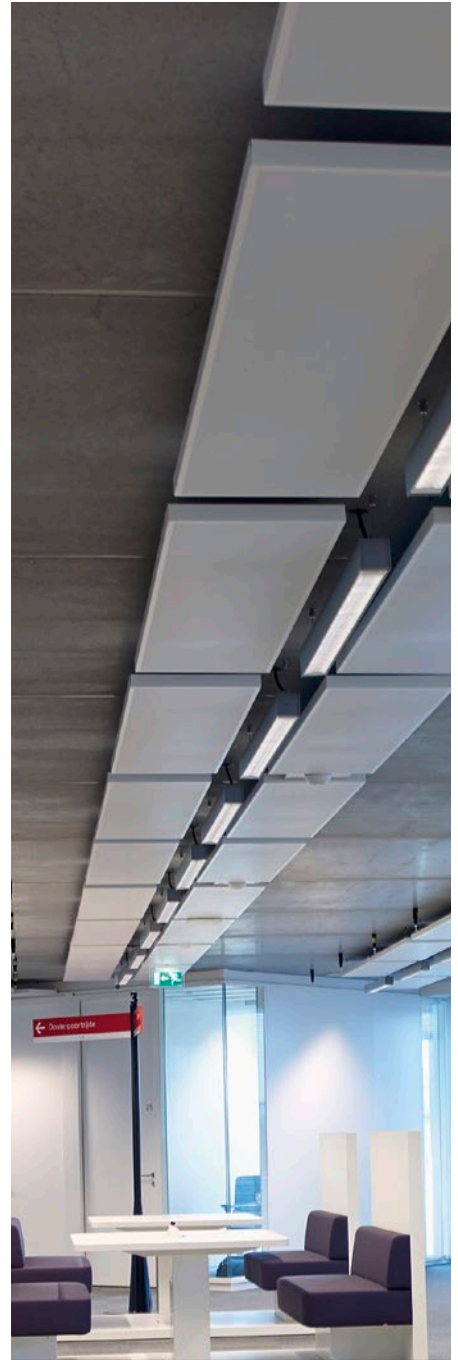
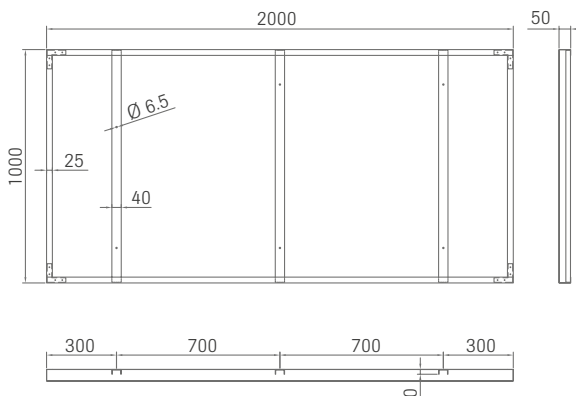


OWAtecta Canopies



- 1 Threaded rod (by client)
- 2 Cross brace

Section view:

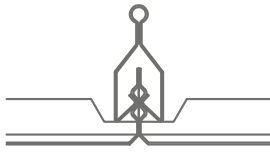


Technical data

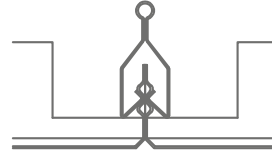
Dimensions	1000 x 1000 mm, 1800 x 1000 mm, 2000 x 1000 mm, 1500 x 750 mm other sizes available on request
Thickness	Galvanized sheet steel approx. 1.0 mm
Colour	White (similar RAL 9003) / other RAL colours on request
Edge details¹	Square edge (03)
Inlay	Black fleece with 30 mm wrapped rock wool (40 kg/m ³)
Perforations²	Rd1522, Rg2516 more perforations on request

¹ Edges please see on page 23 | ² Perforations on page 7

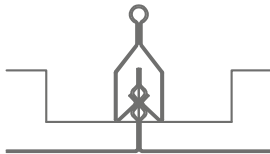
Edges



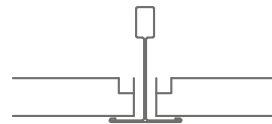
Edge 01 (beveled)
for clip-in profile



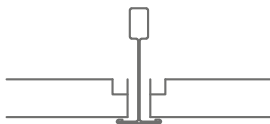
Edge 02 (beveled)
for clip-in profile



Edge 02s (sharp-edged)
for clip-in profile



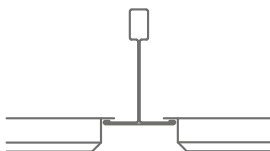
Edge 03
for 24 mm T profile



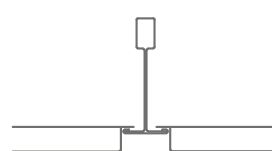
Edge 03
for 15 mm T profile



Edge 04
for 24 mm T profile



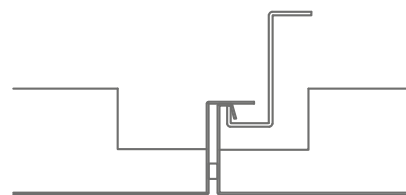
Edge 07
for 24 mm T profile



Edge 16
for 15 mm T profile



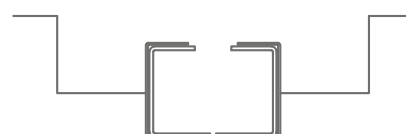
Edge 10
C bending



Edge 11
for Z profile



Edge 11s
for Z profile



Edge 13
for C channel

OWAconstruct standard light fixtures

Standard LED



Lights Integrated lighting, individual lights, white powder-coated housing. Intended for recessed installation. Highly efficient LED light unit. Light directed by opal acrylic glass pane.

Applications Schools, public buildings that value energy efficiency

Electric equipment

- LED actuator, voltage: 220 – 230 V/50 Hz, DC
- power consumption 41 W
- connected via strip terminal

Protection class IP20     

Standard LED – light fixture for the systems S 33, S 45

Description	Module size	Dimension	Protection class	Performance	Electrical ballast
Standard LED	625 x 625 mm	622 x 622 x 93 mm	IP 20	41 W	LED driver

Colour 4000 K, not dimmable

Lifetime LED



Lights Integrated lighting, individual lights, white powder-coated housing. Designed for recessed installation and hidden systems. Highly efficient LED light unit. Light directed by opal acrylic glass pane. Frame folds down on both sides thanks to locking latch.

Applications Schools, public buildings that value energy efficiency

Electric equipment

- LED actuator, voltage: 220 – 230 V/50 Hz, DC
- power consumption 41 W or 35 W
- connected via strip terminal

Protection class IP20     

Lifetime LED – light fixture for the systems S 22, S 33, S 45

Description	Module size	Dimension	Protection class	Performance	Electrical ballast
Lifetime LED	600 x 600 mm	597 x 597 x 105 mm	IP 20	41 W	LED driver
Lifetime LED	625 x 625 mm	622 x 622 x 105 mm	IP 20	41 W	LED driver
Lifetime LED	1200 x 300 mm	1197 x 297 x 105 mm	IP 20	35 W	LED driver
Lifetime LED	1250 x 312.5 mm	1247 x 309.5 x 105 mm	IP 20	35 W	LED driver

Colour 4000 K, dimmable DALI, incl. mounting set

Lighting calculations are subject to a flat net fee of 300.00 €.

OWAconstruct standard light fixtures

Lifetime plus LED (satin finish)



Lights Integrated lighting, individual lights, white powder-coated housing. Designed for recessed installation and hidden systems. Highly efficient LED light unit. Light directed by satin finish acrylic glass pane. Frame folds down on both sides thanks to locking latch.

Applications Schools, public buildings that value energy efficiency, clean rooms up to ISO 4 (IP 54)

Electric equipment

- LED actuator, voltage: 220 – 230 V/50 Hz, DC
- power consumption 31 W
- connected via strip terminal

Protection class IP20    

Lifetime plus LED – light fixture for the systems S 22, S 32, S 33, S 45

Description	Module size	Dimension	Protection class	Performance	Electrical ballast
Lifetime plus LED	625 x 625 mm	622 x 622 x 75 mm	IP 40	31 W	LED driver
Lifetime plus LED	625 x 625 mm	622 x 622 x 75 mm	IP 54	31 W	LED driver

Colour 4000 K, dimmable DALI

Mounting kit for:	OWA no.
S 22	8067/13
S 32	8067/14

Lifetime plus LED (microprismatic)



Lights Integrated lighting, individual lights, white powder-coated housing. Designed for recessed installation and hidden systems. Highly efficient LED light unit. Light directed by microprismatic acrylic glass pane. Frame folds down on both sides thanks to locking latch.

Applications Offices, schools, public buildings that value energy efficiency, clean rooms up to ISO 4 (IP 54)

Electric equipment

- LED actuator, voltage: 220 – 230 V/50 Hz, DC
- power consumption 31 W
- connected via strip terminal

Protection class IP20    

Lifetime plus LED – light fixture for the systems S 22, S 32, S 33, S 45

Description	Module size	Dimension	Protection class	Performance	Electrical ballast
Lifetime plus LED	625 x 625 mm	622 x 622 x 75 mm	IP 40	31 W	LED driver
Lifetime plus LED	625 x 625 mm	622 x 622 x 75 mm	IP 54	31 W	LED driver

Colour 4000 K, dimmable DALI

Mounting kit for:	OWA no.
S 22	8067/13
S 32	8067/14



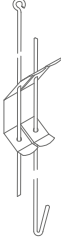



Lighting calculations are subject to a flat net fee of 300.00 €.

OWAconstruct index


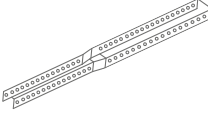
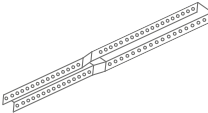
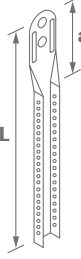
Illustration	Description	Dimension/surface	Units/pack
	cliq-15-MR Main tee	Height: 38 mm width: 15 mm length: 3000 mm 3125 mm visible side: white	20 pieces
	cliq-15-CT Cross tee short, joggled	Height: 38 mm width: 15 mm length: 600 mm 625 mm visible side: white	60 pieces
	cliq-15-CT Cross tee long, joggled	Height: 38 mm width: 15 mm length: 1200 mm 1250 mm visible side: white	60 pieces
	cliq-15-CT Cross tee short, joggled	Height: 38 mm width: 15 mm length: 300 mm 312.5 mm 400 mm visible side: white	60 pieces
	cliq-24-MR Main tee 24 mm	Height: 38 mm length: 3750 mm visible side: white	20 pieces
		Suspension depths with lower element	
		No. 09/10	No. 09/45
	09/5 L= 50 mm	115 - 140 mm	80 - 115 mm
	09/7 L= 70 mm	130 - 170 mm	100 - 135 mm
09/11 L=100 mm	160 - 200 mm	130 - 165 mm	100 pieces
	Hanger-upper element	galvanised maximum load: 0.25 kN	
	09/45 Hanger-lower element for cliq-MR and no. 45	Length: 50 mm galvanised maximum load: 0.25 kN	100 pieces
	09/45KB Hanger-lower element for no. 45KB	Length: 50 mm galvanised maximum load: 0.25 kN corrosion-resistant (KB)	50 pieces
	09E87 Direkt fix bracket	Length: 90 mm galvanized suspension depth von 65-135 mm	100 pieces
	11E Hanger	Height: 52 mm width: 20 mm galvanized	100 pieces
	12 * Hanger for 14.../...	Spring steel maximum load: 0.25 kN	100 pieces
	12/44 * Adjustable hanger klick for cliq-MR and 45	Length: 110 mm width: 20 mm galvanised maximum load: 0.25 kN incl. protective cover, observe installation instructions!	100 pieces

* **Important:** a wire overhang of at least 15 mm must be maintained

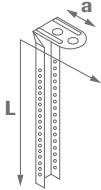
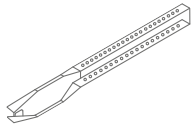
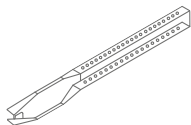
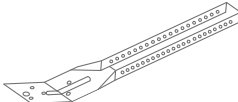
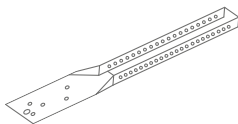
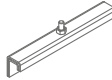


OWAconstruct index

Illustration	Description	Dimension/surface	Units/pack
	12/45 * Adjustable hanger for cliq-MR and 45	Length: 110 mm width: 20 mm galvanised maximum load: 0.25 kN	100 pieces
	12/.../1 * Adjustable hanger with double tension springs double-wire, pre-mounted hook/hooks	Diameter: 4 mm maximum load: 0.25 kN ranges of extension:	
	12/30/1	270 mm	100 pieces
	12/60/1	570 mm	100 pieces
	12/100/1	970 mm	100 pieces
	12/125/1	1220 mm	100 pieces
	12/150/1	1470 mm	100 pieces
	12/175/1	1720 mm	100 pieces
12/200/1	1970 mm	100 pieces	
	12/.../2 * Adjustable hanger with double tension springs double wire, pre-mounted eye/hook	Diameter: 4 mm maximum load: 0.25 kN ranges of extension:	
	12/30/2	270 mm	100 pieces
	12/60/2	570 mm	100 pieces
	12/100/2	970 mm	100 pieces
	12/125/2	1220 mm	100 pieces
	12/150/2	1470 mm	100 pieces
	12/175/2	1720 mm	100 pieces
12/200/2	1970 mm	100 pieces	
	12/125 *	Wire length 125 mm	100 pieces
	12/250 * Adjustable hanger with pre-mounted wire with hook for cliq-MR and 45	250 mm diameter: 4 mm maximum load: 0.25 kN	100 pieces
	12E02 Hanger for Z main profile	Height: 45 mm width: 25 mm galvanized	100 pieces
	14/.../1 * Suspension rod for 12, 12/10, 12/44, 12/45, 12/125 and 12/250	Galvanised diameter: 4 mm lengths:	
	14/12/1	125 mm	100 pieces
	14/37/1	375 mm	100 pieces
	14/50/1	500 mm	100 pieces
	14/75/1	750 mm	100 pieces
	14/100/1	1000 mm	100 pieces
	14/125/1	1250 mm	100 pieces
	14/150/1	1500 mm	100 pieces
	14/175/1	1750 mm	100 pieces
	14/200/1	2000 mm	100 pieces
14/250/1	2500 mm	100 pieces	
14/300/1	3000 mm	100 pieces	

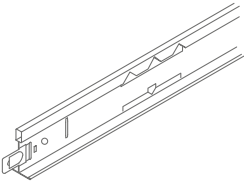
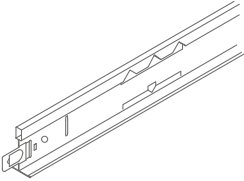
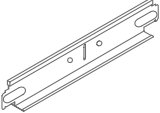
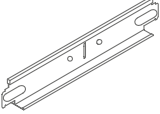
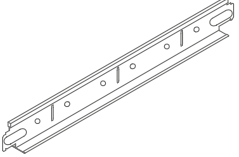
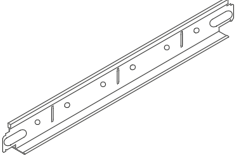
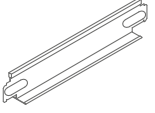
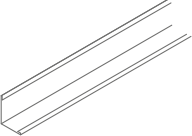

OWAconstruct index

Illustration	Description	Dimension/surface	Units/pack
	14/.../2 * Suspension rod for 12, 12/10, 12/44, 12/45, 12/125 and 12/250	Galvanised diameter: 4 mm lengths:	
	14/12/2	125 mm	100 pieces
	14/25/2	250 mm	100 pieces
	14/37/2	375 mm	100 pieces
	14/50/2	500 mm	100 pieces
	14/75/2	750 mm	100 pieces
	14/100/2	1000 mm	100 pieces
	14/125/2	1250 mm	100 pieces
	14/150/2	1500 mm	100 pieces
	14/175/2	1750 mm	100 pieces
	14/200/2	2000 mm	100 pieces
	14/250/2	2500 mm	100 pieces
	14/300/2	3000 mm	100 pieces
	16 Nonius extension, intermediate element	Length: 200 mm galvanised maximum load: 0.25 kN extension max. 160 mm	100 pieces
	16KB Nonius extension, intermediate element	Length: 200 mm galvanised maximum load: 0.25 kN corrosion-resistant (KB) extension max. 160 mm	50 pieces
	16/... Hanger extension (nonius) for 17/..., 79/..., 09/45 and 09/10	Galvanised also available in longer lengths on request to no. 16/100 fully perforated from no. 16/110 504 mm perforated a approx. 36 mm L approx.:	
	16/15	123 mm	100 pieces
	16/20	171 mm	100 pieces
	16/30	273 mm	100 pieces
	16/40	376 mm	100 pieces
	16/50	476 mm	100 pieces
	16/60	576 mm	100 pieces
	16/70	676 mm	100 pieces
	16/80	776 mm	100 pieces
	16/90	876 mm	100 pieces
	16/100	976 mm	100 pieces
	16/110	1076 mm	25 pieces
	16/120	1176 mm	25 pieces
	16/130	1276 mm	25 pieces
	16/140	1376 mm	25 pieces
	16/150	1476 mm	25 pieces
	16/160	1576 mm	25 pieces
16/170	1676 mm	25 pieces	
16/180	1776 mm	25 pieces	
16/190	1876 mm	25 pieces	
16/200	1976 mm	25 pieces	

OWAconstruct index

Illustration	Description	Dimension/surface	Units/pack
	16/...KB Hanger extension (nonius) for 09/45KB and 17/45KB	Galvanised also available in longer lengths on request corrosion-resistant (KB) to no. 16/100 fully perforated from no. 16/110 504 mm perforated a approx. 36 mm L approx.:	
	16/15KB	123 mm	50 pieces
	16/20KB	171 mm	50 pieces
	16/30KB	273 mm	50 pieces
	16/40KB	376 mm	50 pieces
	16/50KB	476 mm	50 pieces
	16/60KB	576 mm	50 pieces
	16/70KB	676 mm	50 pieces
	16/80KB	776 mm	50 pieces
	16/90KB	876 mm	50 pieces
	16/100KB	976 mm	50 pieces
	16/110KB	1076 mm	25 pieces
	16/120KB	1176 mm	25 pieces
	16/130KB	1276 mm	25 pieces
	16/140KB	1376 mm	25 pieces
	16/150KB	1476 mm	25 pieces
	16/160KB	1576 mm	25 pieces
16/170KB	1676 mm	25 pieces	
16/180KB	1776 mm	25 pieces	
16/190KB	1876 mm	25 pieces	
16/200KB	1976 mm	25 pieces	
	17/45 Hanger for no. 45 and cliq-15-MR	Length: 180 mm galvanized maximum load: 0.40 kN	100 pieces
	17/45KB Hanger for no. 45KB	Length: 190 mm galvanized maximum load: 0.40 kN corrosion resistant (KB)	100 pieces
	17/80 Lower element for triangular reinforcement	Length: 190 mm galvanised	100 pieces
	17/81 Nonius hanger	Length: 190 mm galvanised	100 pieces
	25E Connecting Z profile	Length: 140 mm	100 pieces
	42/15K8 Contura block for system S 45, Edge 16	Width: 15 mm height: 8 mm	100 pieces
	42/24K8 Contura block for system S 33, Edge 07	Width: 24 mm height: 8 mm	100 pieces

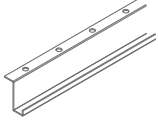





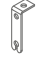

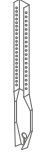
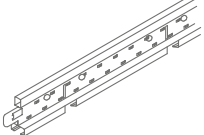
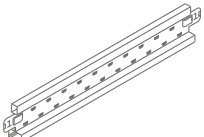
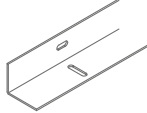
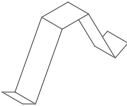
OWAconstruct index

Illustration	Description	Dimension/surface	Units/pack
	45 Main tee	Height: 38 mm width: 24 mm length: 3700 mm 3750 mm visible side: white whitealuminium (similar RAL 9006)	25 pieces
	45KB Main tee	Height: 38 mm thickness: 0.4 mm width: 24 mm length: 3600 mm 3750 mm visible side: white corrosion resistant (KB)	25 pieces
	46 Cross tee	Height: 32 mm width: 24 mm length: 600 mm 625 mm visible side: white whitealuminium (similar RAL 9006)	75 pieces
	46KB Cross tee butting	Height: 32 mm thickness: 0.4 mm width: 24 mm length: 600 mm 625 mm visible side: white corrosion resistant (KB)	75 pieces
	47 Cross tee	Height: 32 mm width: 24 mm length: 1200 mm 1250 mm visible side: white whitealuminium (similar RAL 9006)	50 pieces
	47KB Cross tee butting	Height: 32 mm thickness: 0.4 mm width: 24 mm length: 1200 mm 1250 mm visible side: white corrosion resistant (KB)	50 pieces
	48 Cross tee	Height: 32 mm width: 24 mm length: 300 mm 312.5 mm 400 mm visible side: white	150 pieces 150 pieces 75 pieces
	50G Wall angle steel	Height: 24 mm width: 19 mm length: 3050 mm visible side: white whitealuminium (similar RAL 9006) other colours on request	40 pieces
	50KB Wall angle steel	Height: 24 mm width: 24 mm length: 3050 mm visible side: white corrosion resistant	40 pieces
	50F F wall angle aluminium	Height: 25 mm width: 25 mm length: 3000 mm thickness: 1.2 mm visible side: powder coated white (similar RAL 9003 or RAL 9010)	10 pieces

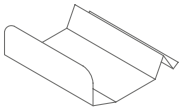
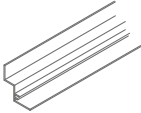
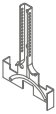
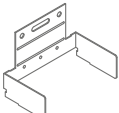
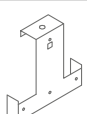
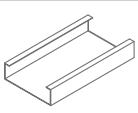
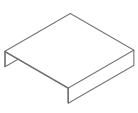
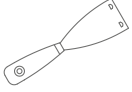



OWAconstruct index

Illustration	Description	Dimension/surface	Units/pack
	50/15 Wall angle steel	Height: 33 mm total width: 30 mm visible width: 15 mm length: 3050 mm visible side: white	35 pieces
	50/22 Shadow wall angle	Height: 39 mm total width: 30 mm visible width: 15 mm length: 3000 mm thickness: 1.0 mm visible side white	15 pieces
	51/24G Wall angle Stahl	Height: 24 mm width: 24 mm length: 3050 mm thickness: 0.5 mm visible side: white	30 pieces
	56/20 Shadow wall angle steel	Height: 45 mm total width: 40 mm visible width: 20 mm length: 3000 mm visible side: white	15 pieces
	57 Wall angle C shaped	Height: 40 mm width: 20 mm length: 3050 mm visible side: white	16 pieces
	66E Safety clip	galvanized	100 pieces
	68 Security clip	Ø 2 mm galvanized	100 pieces
	70E Main tee	Height: 30.7 mm thickness: 1.5 mm length: 3750 mm galvanized	10 pieces
	75E Wall anchor	Length: 97 mm height: 25 mm width: 35 mm galvanized	100 pieces
	76 Safety pin	Length: 70 mm thickness: 30 mm galvanized	100 pieces
	76KB Safety pin for nonius hanger	Length: approx. 70 mm thickness: 3 mm galvanized corrosion resistant (KB)	100 Stück
	77E Connector main tee	Length: 95 mm galvanized	100 pieces
	87B Clip-in profile	Length: 4000 mm height: 38 mm width: 16 mm galvanized	bunch 10 pieces
	88E Connector for clip-in profile	Length: 108 mm galvanized	100 pieces

OWAconstruct index

Illustration	Description	Dimension/surface	Units/pack
	90E01 (gelocht) Z main tee	Length: 3000 mm width: 28 mm height: 38 mm thickness: 1.25 mm galvanized	10 pieces perforated
	93C Cross connector	Length: 54 mm height: 29 mm width: 26 mm galvanized	100 pieces
	93E Cross connector from clip-in profile to clip-in profile	Height: 55 mm width: 28 mm galvanized	100 pieces
	99/18KB 2-component touch-up paint	750 ml can + hardener Important: only mix the reactive hardener into the desired amount of paint. Colour: black	1 can
	935 Hold-down clip for system S 33 and S 45	Width: 19.5 mm length: 43 mm	100 pieces
	1287E Adjustable hanger for clip-in profile no. 87B	Length: 120 mm width: 25 mm galvanized	100 pieces
	1387E Hanger	Length: 58 mm width: 15 mm galvanized	100 pieces
	1782E Nonius hanger lower section	Length: 135 mm galvanized hanger for nonius and wire	100 pieces
	1787S Nonius lower section for clip-in profile no. 87B	Length: 190 mm galvanized	100 pieces
	3500 Main tee	Height: 38 mm width: 14.3 mm length: 3000 mm exterior: white recess: white cross tee slots at 600 mm centres	20 pieces
	3524 Cross tee	Height: 38 mm width: 14.3 mm length: 1200 mm exterior: white recess: white without central cross tee slot	60 pieces
	5110B Carrier angle	Length: 3000 mm height: 30 mm width: 70 mm visible side: powder coated black	4 pieces
	5210 Wall spring clip	Width: 16 mm length: 82 mm	500 pieces

OWAconstruct index

Illustration	Description	Dimension/surface	Units/pack
	5220 Wall spring clip for all aluminium wall angles	Width: 37 mm length: 40 mm	100 pieces
	5620F F shadow wall angle aluminium	Total height: 40 mm joint depth: 20 mm total width: 45 mm visible width: 25 mm thickness: 1.2 mm length: 3000 mm visible side: powder coated white (similar RAL 9003 or RAL 9010)	10 pieces
	7010E Nonius hanger lower section	Length: 140 mm galvanized	100 pieces
	7510B Wall anchor for C bandraaster	Length: 60 mm width: 97 mm galvanized	10 pieces
	7910E Hanger	Height: 100 mm width: 100 mm galvanized	100 pieces
	8010B C bandraaster profile	Height: 30 mm width: 100 mm thickness: 1.25 mm length: 4000 mm white	4 pieces
	8210B Connector	Width: 97 mm length: 100 mm galvanized	10 pieces
	99006 Unclip tool	Tool for unclipping metal panels with edges 01, 01s, 02 and 02s	1 piece
	99009 Wall clip for wall angle no. 50G	galvanized	100 pieces
	99010 Wall clip for wall angle no. 50/15	galvanized	100 pieces
	99308 Joint tape, black	Width: 8 mm thickness: 3 mm roll à 20 m	20 m



The information in this brochure is up-to-date at the time of publication. Subject to alterations. Please contact our OWAconsult team for specific advice. Our experts will be happy to answer your questions using the following contact details: tel: +49 9373 201-444 or e-mail: info@owaconsult.de

Odenwald Faserplattenwerk GmbH

Dr.-F.-A.-Freundt-Straße 3 | 63916 Amorbach | Germany
tel +49 9373 201-0 | info@owa.de
www.owa-ceilings.com