

# Corridor systems swing-down and/or demountable

OWAtecta – metal ceilings

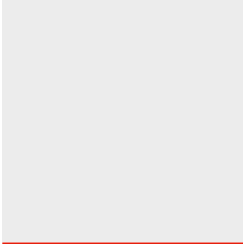
**OWA**

## System S 36 | Corridor systems, swing-down and/or demountable



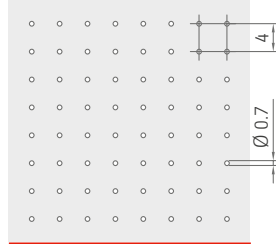
### Perforations:

$\alpha_w = 0.05$  | NRC = 0.05



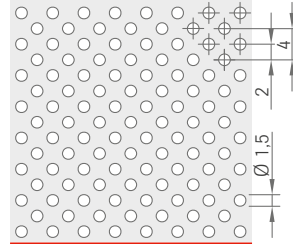
**L0 un-perforated**

$\alpha_w = 0.55$  | NRC = 0.55



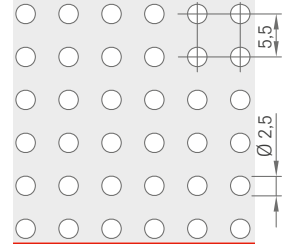
**Rg0702**  
 $\varnothing$  0.7 mm  
 2 % open area

$\alpha_w = 0.70$  | NRC = 0.70



**Rd1522**  
 $\varnothing$  1.5 mm  
 22 % open area

$\alpha_w = 0.8$  | NRC = 0.75



**Rg2516**  
 $\varnothing$  2.5 mm  
 16 % open area

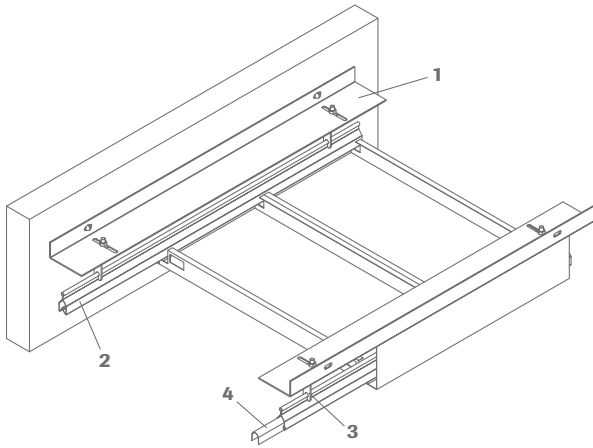
Other perforations can be found in brochure 9391 e.

## Technical data

<b>Dimensions</b>	Widths: 250 - 625 mm   Lengths: <b>Success</b> 600 - 2500 mm, <b>Progress</b> and <b>Lay-on</b> 600 - 3000 mm		
<b>Material</b>	Galvanised sheet steel, perforated versions - glued with black acoustic fleece		
<b>Colour</b>	White (similar RAL 9003) / other RAL colours on request		
<b>Reaction to fire</b>	A2-s1,d0 in accordance with EN 13501		
<b>Edges</b>	<b>S 36 Success</b> long edge: 10 short edge: 02s	<b>S 36 Progress</b> long edge: 10 short edge: 11s	<b>S 36 Lay-on</b> long edge: 10 short edge: 03
<b>Thickness</b>	Approx. 0.5 - 0.7 mm (depending on the version)		
<b>Metal suspension</b>	All metal parts galvanised or also coated in white or black		

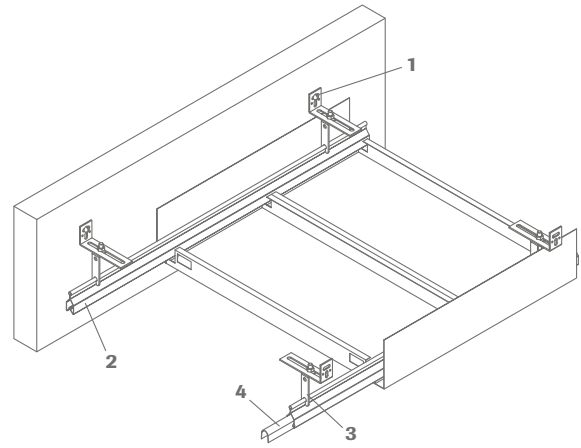
System S 36 Success | Concealed, swing-down

Variant 1  
installation with support bracket no. 5110



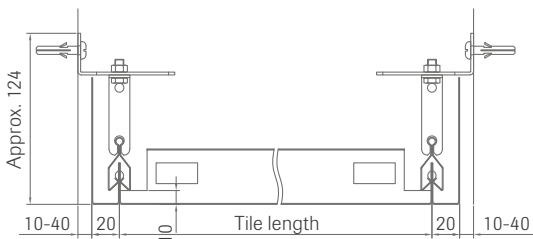
- 1 Support bracket no. 5110
- 2 Clip-in rail no. 87B
- 3 Hanger no. 1387E
- 4 Connector no. 88E

Variant 2  
installation with wall anchor no. 75E

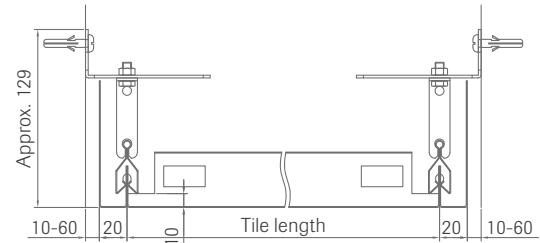


- 1 Wall anchor no. 75E
- 2 Clip-in rail no. 87B
- 3 Hanger no. 1387E
- 4 Connector no. 88E

Cross-section:



Cross-section:

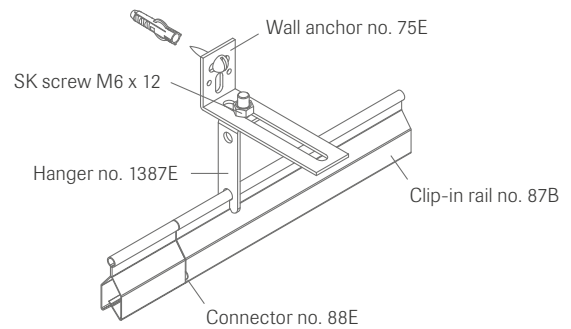
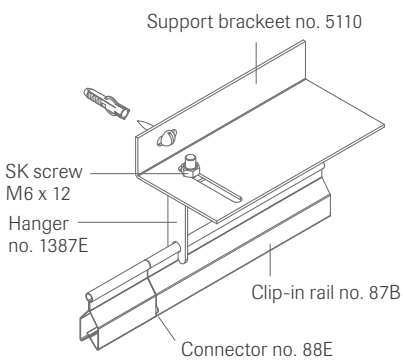


Mounting distances:

support bracket no. 5110: 500 mm (angle pre-drilled)  
hanger no. 1387E: 500 mm (angle pre-drilled)

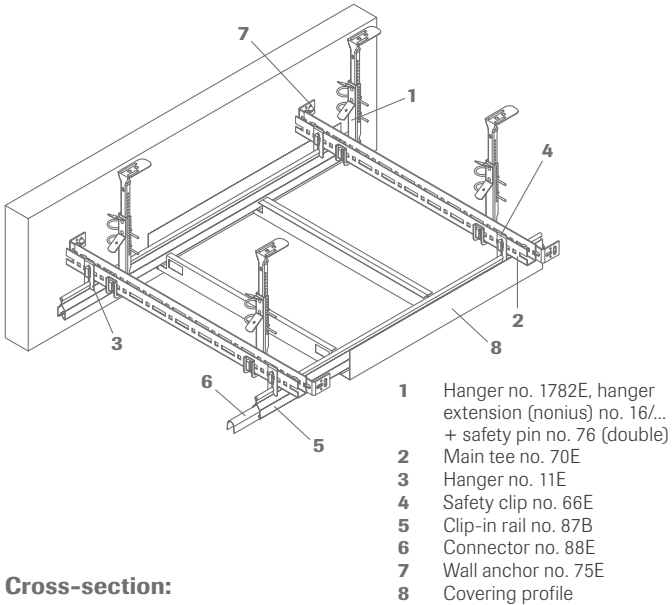
Mounting distances:

wall anchor no. 75E: 500 mm  
hanger no. 1387E: 500 mm

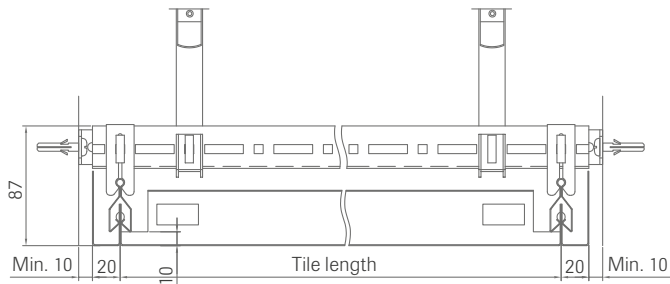


## System S 36 Success | Concealed, swing-down

### Variant 3 installation with main tee no. 70E

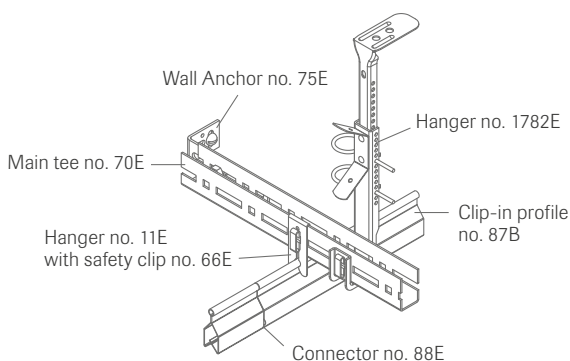


#### Cross-section:



The hangers should always be placed at the crossing points of the supporting profile and the clip-in rail and should not be mounted further than 100 mm away from them. The maximum distance of the hangers is thus dependent on the length of the plates, but must not exceed a distance of 2000 mm.

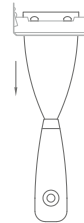
Tile length $\leq$	Main tee distance $T \leq$	Hanger distance $A \leq$
600 mm	1900 mm	1250 mm
625 mm	1875 mm	1250 mm
1250 mm	1350 mm	1250 mm
1500 mm	1200 mm	1500 mm
2000 mm	1050 mm	2000 mm
2500 mm	850 mm	2000 mm



### Mounting and dismantling the tiles

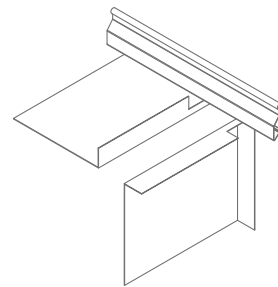
The tiles for the clip-in systems are provided with embossed nubs at the upstands of the front sides which ensure a load-carrying connection with the clip-in profile. The tiles must be pressed into the clip-in profile such that they audibly engage.

Folding out of the tiles is possible only with an unclip tool. The tool is inserted into the non-clamped tile joint - immediately alongside the clip-in profile. After the tool has engaged in the tile edge, the tile can be carefully extracted out of the clip-in profile. You can proceed in the same manner on the other tile edges.



#### Swinging down the tiles

In the S 36 Success system, individual or all tiles can be swung down. The front edges are provided with special swing down flaps for this purpose. When they are open, the panels can be pushed together in order to increase the opening area.

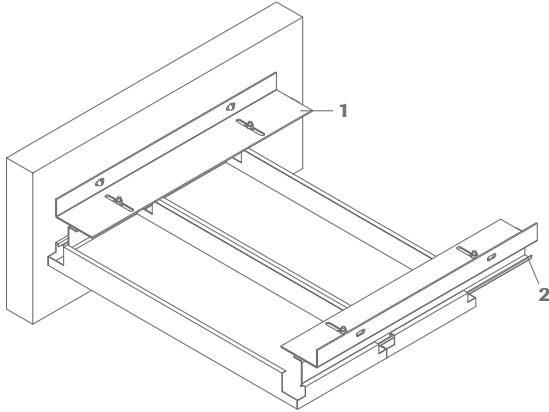


#### Note:

The panels can be removed downwards by carefully pushing the clip-in rails apart using a screwdriver.

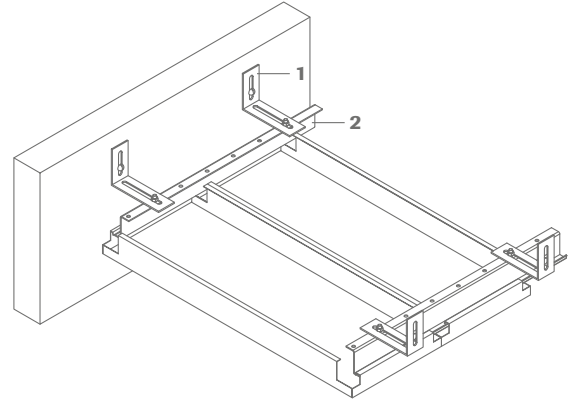
System S 36 Progress | Concealed, demountable or concealed, swing-down

Variant 1  
installation with support bracket no. 5110



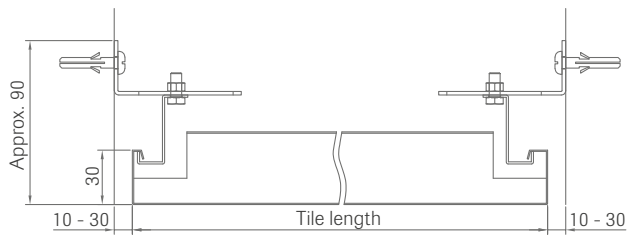
- 1 Support bracket no. 5110
- 2 Z profile no. 90E01

Variant 2  
installation with wall anchor no. 75E

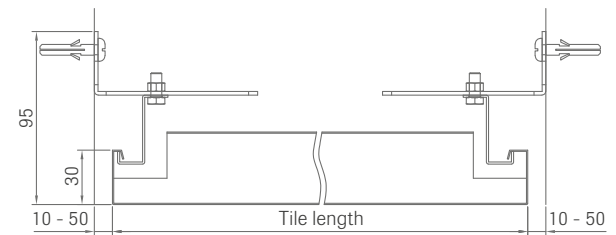


- 1 Wall anchor no. 75E
- 2 Z profile no. 90E01

**Cross-section:**



**Cross-section:**

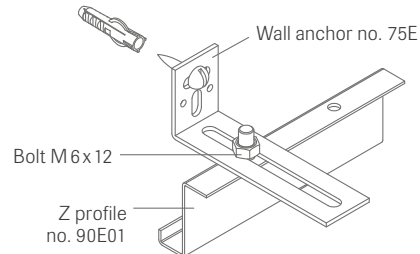
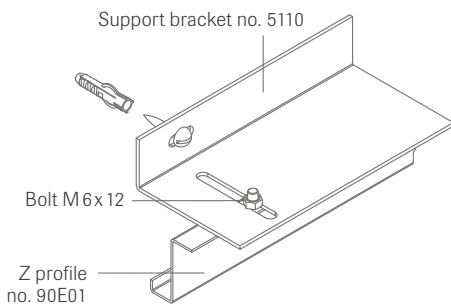


**Mounting distances:**

support bracket no. 5110: 500 mm (angle pre-drilled)  
Z profile no. 90E01: 500 mm (angle pre-drilled)

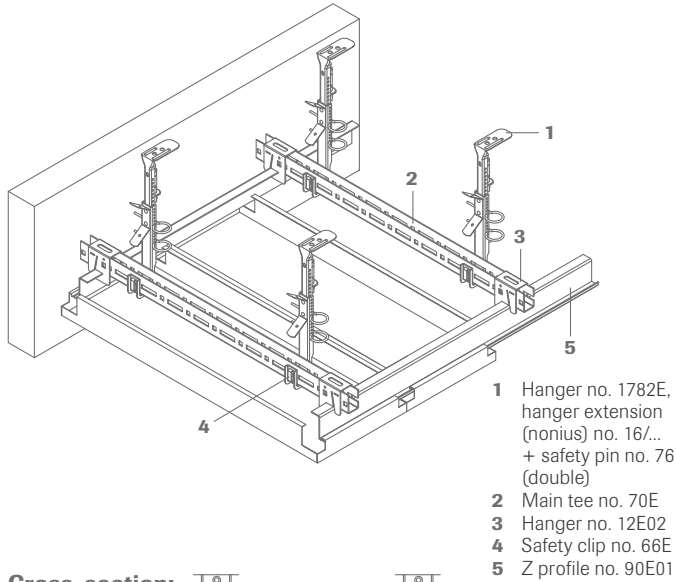
**Mounting distances:**

wall anchor no. 75E: 500 mm  
Z profile no. 90E01: 500 mm

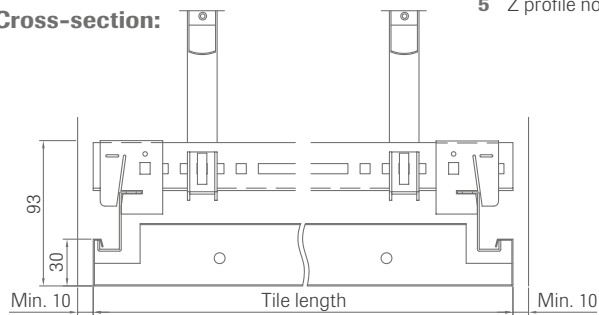


System S 36 Progress | Concealed, demountable or concealed, swing-down

Variant 3  
installation with main tee no. 70E

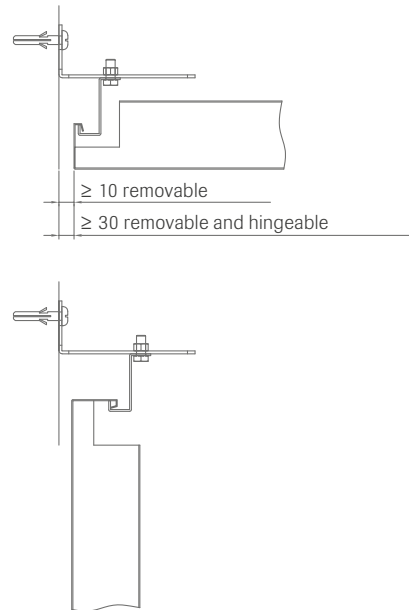


Cross-section:



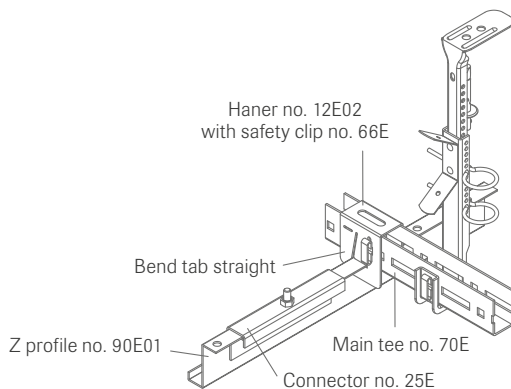
Mounting and dismounting the tiles

To install or remove the tiles, a minimum distance of 10 mm is required between the short side of the tile plate and the wall. A distance of at least 30 mm must be maintained in order to swing down the tile plate.



The hangers should always be placed at the crossing points of the supporting profile and the clip-in rail and should not be mounted further than 100 mm away from them. The maximum distance of the hangers is thus dependent on the length of the plates, but must not exceed a distance of 2000 mm.

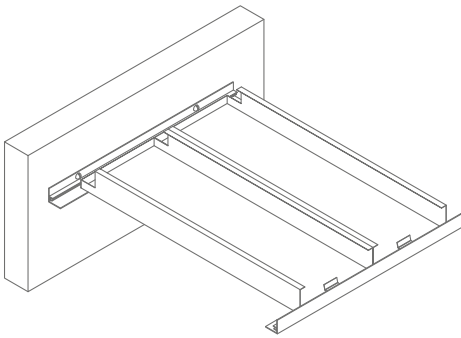
Tile length L	Main tee distance T	Hanger distance A
600 mm	1900 mm	1250 mm
625 mm	1875 mm	1250 mm
1250 mm	1350 mm	1250 mm
1500 mm	1200 mm	1500 mm
2000 mm	1050 mm	2000 mm
2500 mm	850 mm	2000 mm



## System S 36 Lay-on | Concealed, demountable

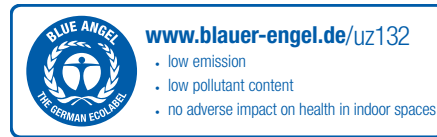
### Installation

Here, the metal panels (also warehouse metal panels) are placed on the F edge trim, cut on one side if need be, and secured with a wall spring clip. The "suspension depth" depends on the wall angle and the length of the tiles. Up to 250 mm depth may be required.



## Blue Angel

These products meet the Ecolabel requirements for „Low-emission thermal insulation and ceiling products designed for use in buildings, RAL UZ 132“ (October 2010 edition).



## VOC emissions OWAtecta metal ceiling tiles

Appropriate for use in indoor spaces in accordance with the AgBB and the „approval principles regarding health assessments of construction products in indoor spaces“.

In clinical and hygienic-sensitive areas:  
**surface** un-perforated (L0)



Please refer to OWA-brochure 9398 e and OWAtecta Installation Guide 9303 e for recommendations regarding classification and versions.

## System description:

**concealed, swing-down OWAconstruct system S 36**

### Quality statement:

OWAtecta clip-in tiles are manufactured from galvanized sheet steel, available as un-perforated or perforated with glued-in acoustic fleece version, visible face white (similar RAL 9003). Regarding material characteristics, size and colour accuracy we follow our quality guidelines, which are on par with TAIM-guidelines (Association of Industrial Metal Ceiling Manufactureres) as well as EN 13964.

Special features can be found in the OWAtecta Installation Guide 9303 e.

## Product warranties

The information provided in this leaflet is based on the standards and data available at the time of publication. Any performance, warranties or guarantees provided, expressed or implied, are subject to the exclusive use of OWA components and the installation of those components in accordance with our recommendations. Failure to adhere to these conditions will result in the invalidation of any performance claims, warranties or guarantees and rejection of any liability. OWA reserves the right to make any technical improvements to the products, systems or services without prior notice. **All goods and services are supplied in accordance with our current Terms and Conditions of Sale.** Errors excepted!

# OWA

The information in this brochure is up-to-date at the time of publication. Errors and mistakes excepted. Please contact our competence team OWAconsult for specific advice. Our experts will be happy to answer your questions under the following contact details: tel: +49 9373 201-444 or e-mail: [info@owaconsult.de](mailto:info@owaconsult.de)

### Odenwald Faserplattenwerk GmbH

Dr.-F.-A.-Freundt-Straße 3 | 63916 Amorbach | Germany  
tel +49 9373 201-0 | [info@owa.de](mailto:info@owa.de)  
[www.owa-ceilings.com](http://www.owa-ceilings.com)

Brochure 9336 e  
072300