

The background of the advertisement is a photograph of a woman with blonde hair and blue eyes, wearing black-rimmed glasses. She is looking upwards towards a ceiling. The ceiling is a grid of dark lines, and within the grid, there are numerous small, glowing blue lights that create a starry or galaxy-like effect. The overall color palette is dominated by deep blues and greys, with the woman's skin and hair providing a natural contrast.

**OWA**

# **OWAcoustic<sup>®</sup>** **Creaprint**

Creative Ceiling Graphics

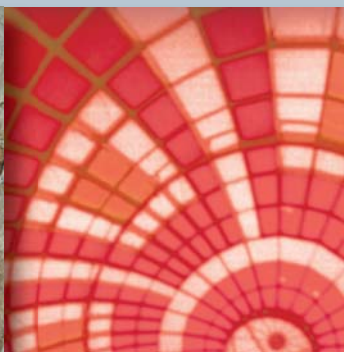
OWAcoustic<sup>®</sup> premium

## COMMUNICATING VIA THE CEILING

A product from OWA which provides the means to use the ceiling surface as an information medium. OWAacoustic® Creaprint is a service offering high quality digitally printed ceiling tiles that can be created from your own original artwork, photographs or digital film. It provides a unique opportunity to apply high quality logos, motifs, symbols, pictures and advertising or information text to the ceiling. The graphics can be applied to one tile or cover the whole ceiling with individual tiles marked to provide the installation layout.

### How does the picture get to the ceiling?

Quite simply! You just supply us with your artwork or picture and tell us how you would like your design positioned. We then prepare a layout plan showing exactly where the individual tiles are to be positioned in the ceiling. The numbered ceiling tiles are then installed exactly to this layout plan. Your design artwork can be supplied to us in a photograph, transparency or digital film format. The choice is yours.





**Is it possible to apply to an existing ceiling?**

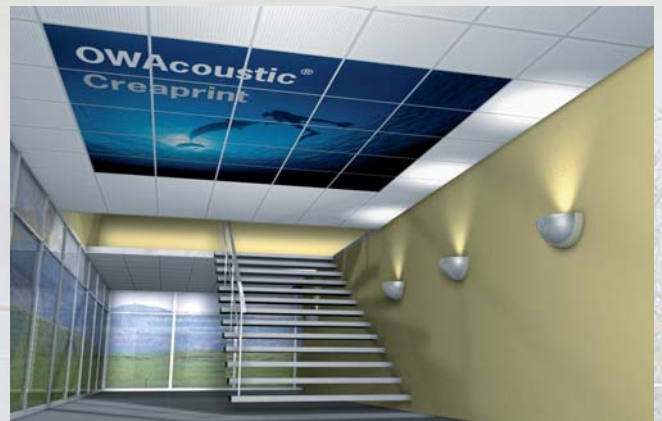
No problems! The system is specifically for exposed grid suspension systems such as S 3 or S 15 from the OWAconstruct® programme. It just requires the old ceiling tiles to be removed and replaced by the creaprint tiles produced to your design requirement.

**Recommended tile surface.**

To guarantee the very best clean printed results we recommend the use of *Plain* or *Constellation* surface patterns. Where there is a requirement for good room acoustics use *Constellation* which will provide good sound absorption values.

**Simple installation to plan.**

Exposed grid suspension systems S 3 and S 15 from the OWAconstruct® suspension programme will provide a simple and rapid framework for your creaprint ceiling designs.





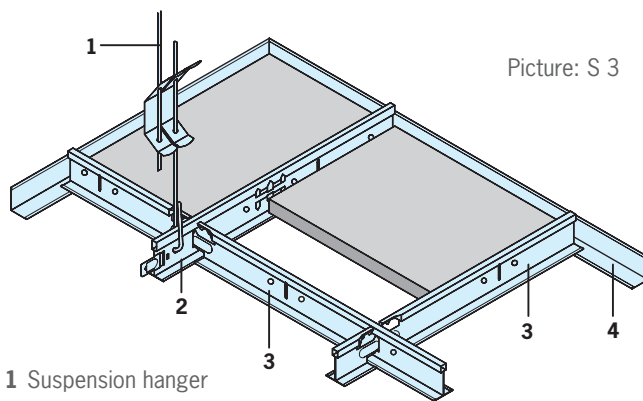
**OWA**  
**Acoustic®**

**Creaprint**

Creative Ceiling Graphics

## TECHNICAL DATA

### Exposed grid systems S 3 and S 15

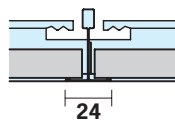


Picture: S 3

- 1 Suspension hanger
- 2 Main Tee
- 3 Cross Tee
- 4 Perimeter Trim

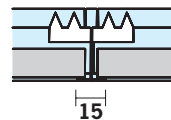
#### S 3

Cross-section  
through Main Tee



#### S 15

Cross-section  
through Main Tee



For further information see Brochure S 3 and S 15!

Please contact our sales office if you would like to receive a sample, discuss a particular project or wish to investigate the optical variations available with creaprint.

All system-related data corresponds to current state-of-the-art. They depend on the exclusive use of OWA products and system components, whose interdependent behaviour is confirmed by internal and external testing. When they are used in combination with non OWA products and system components, any warranty is invalidated. OWA reserves the right to make any technical alterations to improve either product or system development.

This publication is intended to provide technical assistance. The recommendations which it contains are derived from practical experience, but will not necessarily meet particular circumstances in individual cases and therefore carry no warranty.

# OWA

### Odenwald Faserplattenwerk GmbH

Dr.-F.-A.-Freundt-Straße 3

63916 Amorbach

Tel. +49 9373 2 01-0

Fax +49 9373 2 01-1 30

www.owa.de · E-Mail: info@owa.de