



OWAtecta®



## Clip-in system

### System S 31

Concealed,  
demountable

### System S 32

Concealed,  
swing-down



# OWA

# Clip-in system

## S 31 Concealed, demountable S 32 Concealed, swing-down

### Technical Data

#### Standard dimensions:

- 600 mm x 600 mm
- 625 mm x 625 mm
- 600 mm x 1200 mm
- 300 mm x 1200 mm
- 400 mm x 1800 mm

#### Material thickness:

- galvanized Steel approx. 0.5 mm
- Aluminium approx. 0.6 mm

#### Building Material Class:

- Depending on type
- A1
- A2-s1,d0
- A2-s2,d0 (EN 13501-1)

#### Standard edge details:

- Long edges bevelled 01
- Short edges bevelled 01

#### Metal system:

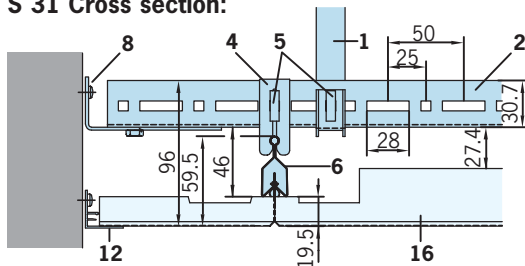
- All metal parts galvanized and white painted.

#### Minimum suspension depth:

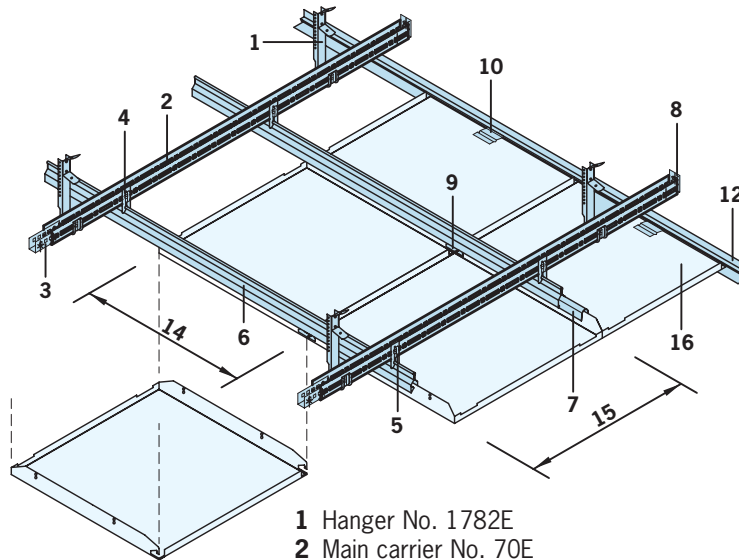
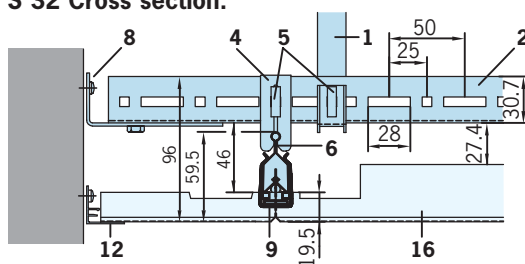
- Suspended approx. 200 mm
- Direct fix approx. 64 - 135 mm

#### Fire protection: on request

#### S 31 Cross section:



#### S 32 Cross section:



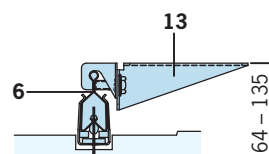
- 1 Hanger No. 1782E
- 2 Main carrier No. 70E
- 3 Splice No. 77E
- 4 Splice No. 11E
- 5 Safety clip No. 66E
- 6 Clip-in section No. 87E
- 7 Splice No. 88E
- 8 Wall anchor No. 75E
- 9 Swing-down element No. 86E (only with S 32)
- 10 Wall clip No. 5220
- 11 Wall clip No. 5210
- 12 F-Wall section No. 50F
- 13 Direct fix No. 09E87
- 14 Tile width
- 15 Tile length
- 16 Metal tile

Tile-lengths ≤	Main carrier-centres OC ≤	Hanger-centres OC ≤
600 mm	1900 mm	1250 mm
625 mm	1875 mm	1250 mm
1250 mm	1350 mm	1250 mm
1500 mm	1200 mm	1500 mm
2000 mm	1050 mm	2000 mm
2500 mm	850 mm	2500 mm

#### Swinging the tile down:

Long tiles are hinged from the short edges.

#### Direct fixing:



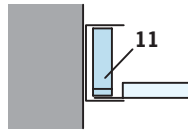


## Clip-in system

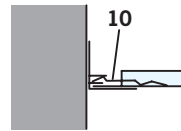
**S 31 Concealed, demountable**  
**S 32 Concealed, swing-down**

### Wall junctions:

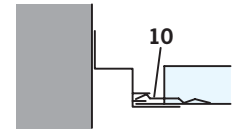
Tiles located on the wall perimeter trims or in corners, cannot be removed directly downwards. In smaller as well as narrower areas, it is necessary to have a minimum of 3 rows of tiles so that the next-to-last tile and then the wall tile can be removed, (see the Installation information). For alternative wall perimeters and information on installation see OWAtecta® - leaflet 300.



C-Wall trim  
**No. 57**, Steel,  
 White painted

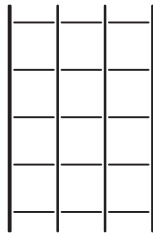


F-Wall trim  
**No. 50F**, Aluminium,  
 Powder coated white

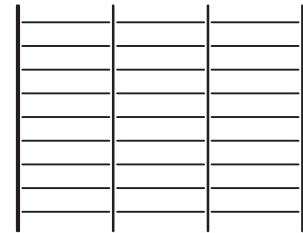


F-Shadow wall trim  
**No. 5620F**, Aluminium,  
 Powder coated white

### Installation examples:



Small and narrow areas / at least  
 3 Standard tiles per row required.  
 (see also Wall junctions)



Small and narrow areas / at least  
 3 Standard tiles per row required.  
 (see also Wall junctions)

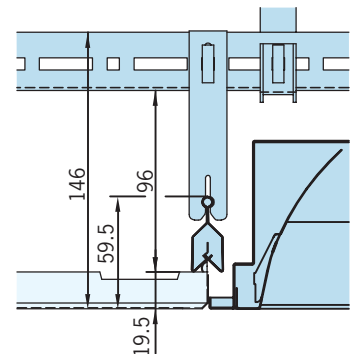
### Light fittings:

OWA can supply compatible light fittings for this system.

Light fittings: OWA-Lex  
 OWA-Terra  
 OWA-Opta

Dimensions: 600 mm x 600 mm  
 625 mm x 625 mm

For details of installation as well as fire protection of light fixtures see leaflet No. 630.



If it is not known where the light fixtures are to be installed, alternative connector No. 12E can be used instead of No. 11E. The distance between bottom edge of carrier section No. 70E and the lower edge of clip-in section No. 87E then amounts to 96 mm instead of 46 mm.

### Downlights:

OWA can supply compatible downlights for this system. For details of installation and fire protection of lights see brochure No. 632.



# Clip-in system

## S 31 Concealed, demountable S 32 Concealed, swing-down

### Material required per m<sup>2</sup> (standard):

#### Suspended with main carrier section:

No.	Item	600 x 600	625 x 625	300 x 1200	600 x 1200	400 x 1800
No. 1782E	Hanger	0.6 pce	0.6 pce	0.6 pce	0.6 pce	0.6 pce
No. 70E	Main Carrier	0.6 m	0.6 m	0.8 m	0.8 m	1.0 m
No. 77E	Splice	0.2 pce	0.2 pce	0.2 pce	0.2 pce	0.3 pce
No. 11E	Splice	0.9 pce	0.9 pce	0.6 pce	0.6 pce	0.5 pce
No. 66E	Safety clip	1.5 pcs	1.5 pcs	1.2 pcs	1.2 pcs	1.1 pcs
No. 87E	Clip-in section	1.7 m	1.6 m	0.85 m	0.85 m	0.6 m
No. 88E	Splice	0.5 pce	0.4 pce	0.3 pce	0.3 pce	0.2 pce
No. 75E	Wall anchor	Dependent on area size and shape				
No. 86E	Swing-down element	1.4 pcs	1.3 pcs	1.4 pcs	0.7 pce	0.7 pce
No. 5220 / No. 5210	Wall clip	Dependent on area size and shape				
No. 50F	F-Wall trim	Dependent on area size and shape				

#### Direct fixing:

No. 09E87	Direct fixing clip	1.4 pcs	1.4 pcs	0.7 pce	0.7 pce	0.6 pce
No. 87E	Clip-in section	1.7 m	1.6 m	0.85 m	0.85 m	0.6 m
No. 88E	Splice	0.5 pce	0.4 pce	0.3 pce	0.3 pce	0.2 pce
No. 86E	Swing-down element	1.4 pcs	1.3 pcs	1.4 pcs	0.7 pce	0.7 pce
No. 5220	Wall clip	Dependent on area size and shape				
No. 50F	F-Wall trim	Dependent on area size and shape				

#### Weight:

Suspension approx.	2.0 kg – 3.5 kg
Tile approx.	3.5 kg – 6.0 kg

### System description:

#### Concealed OWAtecta® System S 31 and S 32 (Clip-in system)

##### Material Quality:

OWAtecta® Clip-in Metal Tiles are manufactured from galvanized steel or aluminium sheet, plain, perforated or "perfora" option, with white powder coated paint surface and black acoustics fleece inserts. Our quality guidelines in terms of measurement, content and colour are in accordance with EN 13964.

#### Construction description:

##### System S 31

The main carrier U-Channel No. 70E is suspended from the soffit by hanger No. 1782E and secured to the perimeter walls with wall anchor No. 75E. Clip-in section No. 87E is secured to the main carrier by splice No. 11E, No. 1782E and No. 77E are secured by safety clips No. 66E. All sections are manufactured from galvanized steel.

##### System S 32

The main carrier U-Channel No. 70E is suspended from the soffit by hanger No. 1782E and secured to the perimeter walls with wall anchor No. 75E. Clip-in section No. 87E with swing down element No. 86E is secured to the main carrier by splice No. 11E, No. 1782E and No. 77E are secured by safety clips No. 66E. All sections are manufactured from galvanized steel.

### Guarantee and liability

All system relevant data and statements correspond to the current technology. They assume the exclusive application of OWA products and system components, the interdependent behaviour of which is confirmed by internal and external testing. When they are used in combination with non OWA products and system components, any warranties or guarantees are invalidated and liability will not be accepted. OWA reserves the right to make any technical alterations to improve either product or system development.